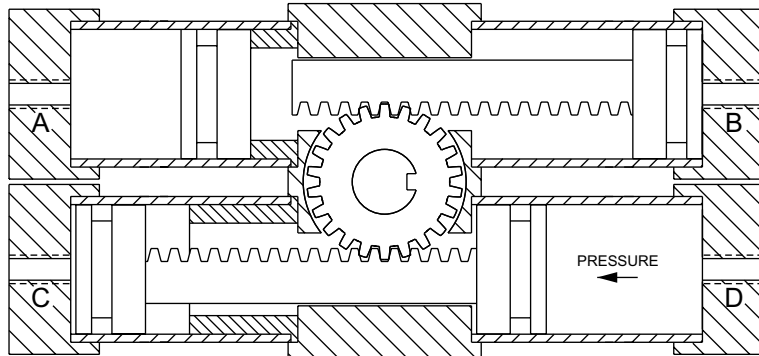
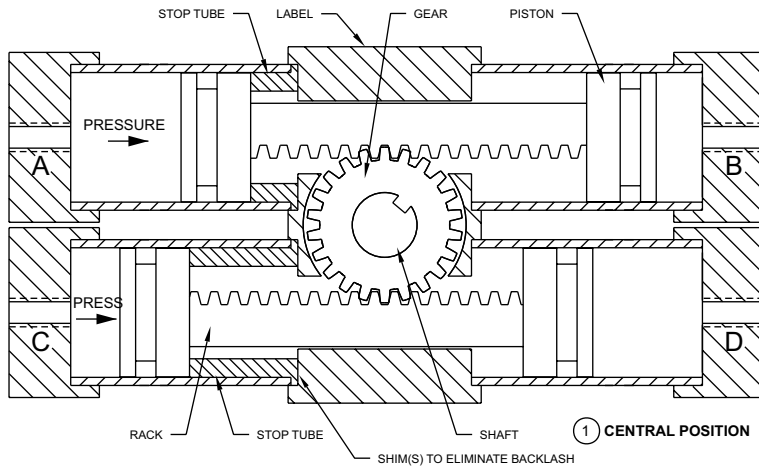
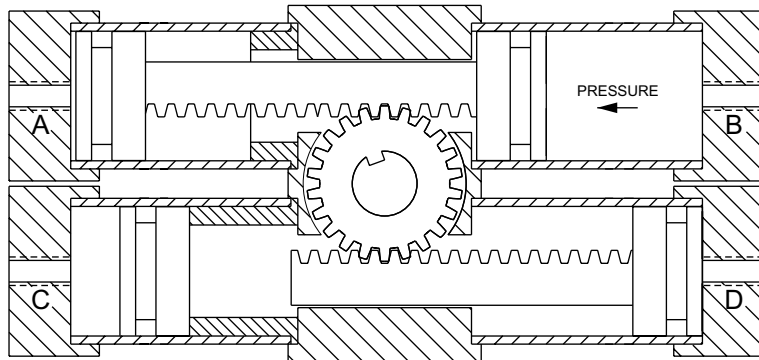


DUAL RACK 3 POSITION ACTUATOR OPERATION



NOTE:
ONE PISTON LOSES CONTACT WITH THE RACK, WHEN SHAFT IS AT ENDS OF ROTATION.
PISTONS BOTTOM ON ENDS 'B' & 'D' BUT NOT ON 'A' & 'C' TO TAKE UP BACKLASH.

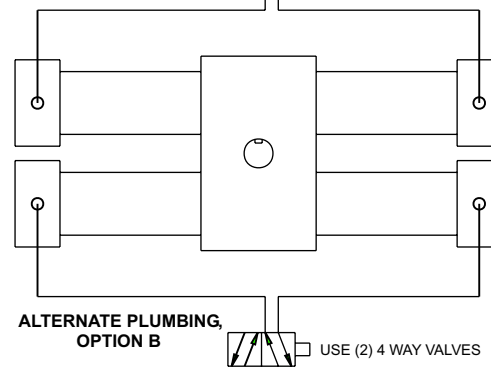
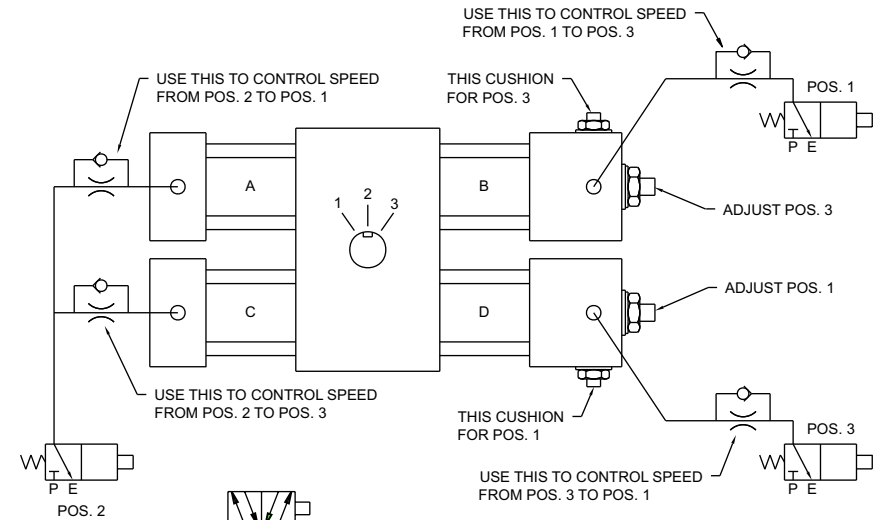


③ FULLY CCW POSITION



11 Sunshine Blvd. Ormond Beach, FL 32174 Phone: 386/676-6377 Fax: 386/676-6379
Email: sales@rotomation.com Website: www.rotomation.com

3 POSITION DUAL RACK (A12, A22, A32 & A42) ROTARY ACTUATOR INSTALLATION AND SETUP



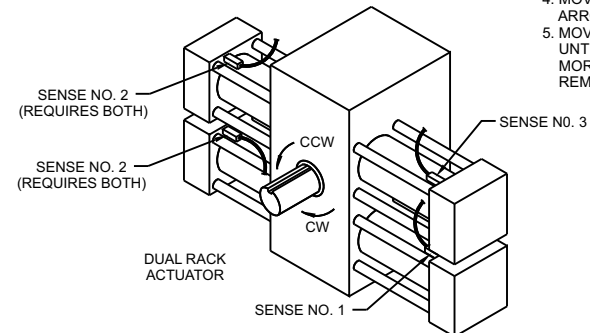
TRUTH TABLE

POSITION	PRESSURE				MAG SWITCHES			
	A	B	C	D	A	B	C	D
1	E	P	E	O	O	X	T	
2(A)	P	P	P	T	O	T	O	
2(B)	P	E	P	E	T	X	T	X
3	E	E	E	P	X	T	O	O

E=EXHAUST T=ON (TRUE)
P=PRESSURE O=OFF (FALSE)
X=UNKNOWN

- OPTION (A) ABOVE PRODUCES SMOOTHER ACTION IN MOST CIRCUMSTANCES AND MAXIMIZES EFFECT OF CUSHIONS, BUT WILL RESULT IN SOME LASH (FREE PLAY) AT POSITION 2.
OPTION (B) SHOULD BE USED TO ELIMINATE LASH. ALTERNATE PLUMBING OPTION CAN BE USED TO REDUCE VALVE COUNT.
MAGNETIC SWITCH ADJUSTMENT:
1. CONNECT AIR LINES ACCORDING TO TRUTH TABLE.
2. CONNECT SWITCHES ACCORDING TO TRUTH TABLE ABOVE AND ELECTRICAL DIAGRAM ON SWITCH LABEL.
3. PRESSURIZE ACTUATOR TO DESIRED POSITION.
4. MOVE SWITCH FULLY IN OPPOSITE DIRECTION OF ARROW.
5. MOVE SWITCH SLOWLY IN DIRECTION OF ARROW UNTIL INDICATOR LIGHTS, THEN APPROXIMATELY .03" MORE. LOCK SWITCH IN PLACE & REPEAT FOR REMAINING SWITCHES.

ACTUATOR SWITCH PLACEMENT



SWITCH-LEADS

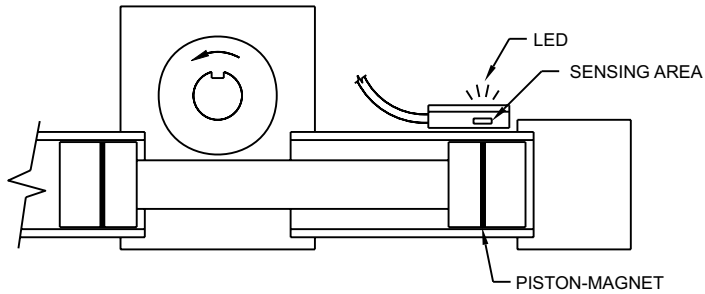
Standard-Lead	OPTION GL,-RL,-SL	LEAD 9",-end-stripped
Connection-option	GC,-RC,-SC	6"-pigtail-with-male connector

EXTENSION-CABLES-(PURCHASE-SEPARATELY)

PART NUMBER	DESCRIPTION
CC2	2-m-cable,-female-connector-one-end,-stripped-other-end.
CC5	5-m-cable,-female-connector-one-end,-stripped-other-end.

--KEEP MAGNETIC-MATERIAL AWAY -

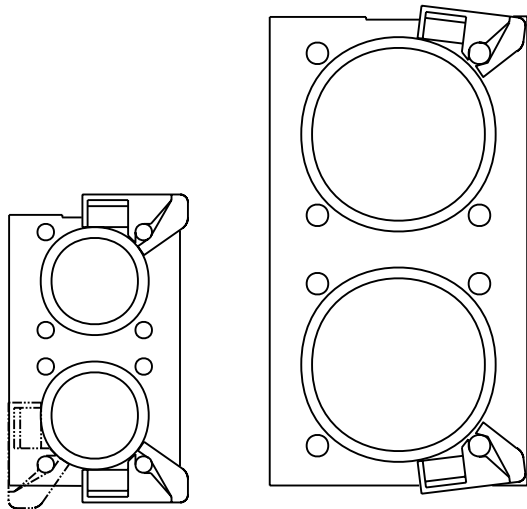
SENSING



APPROACHING-PISTON-MAGNET ACTIVATES-SENSOR,-OPERATES-SWITCH AND-LED.
PLACE-SWITCH AS-CLOSE AS-POSSIBLE TO-END-CAP FOR-CORRECT OPERATING-POSITION.

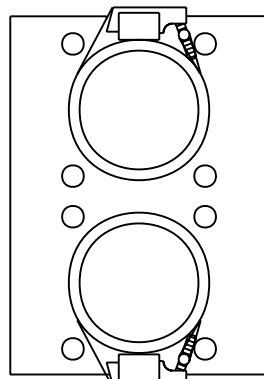
SWITCH-MOUNTING

TIE-ROD-CLAMP



SERIES A12-&A22

STRAP CLAMP



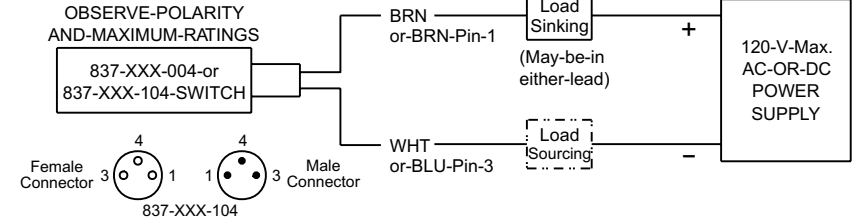
SERIES A32

**TIGHTEN-STRAP CLAMP
TO-HOLD-SWITCH-STABLE.
DO-NOT DISTORT-SWITCH-CASE.**

ROTOMATION-REED-SWITCH---OPTION-G

DESCRIPTION AND-RATING

Reed-switch-with-LED-&-Surge-Protection,-normally-open
Switching-voltage 5-120-VAC/VDC
Switching-current .5-a,-max,-.005-min.
Switching-power 10-w,-max.
Voltage-drop 3.5-V
Temperature-range -30-to-+80C
Environment Resistant-to-moisture,-dust,-oil

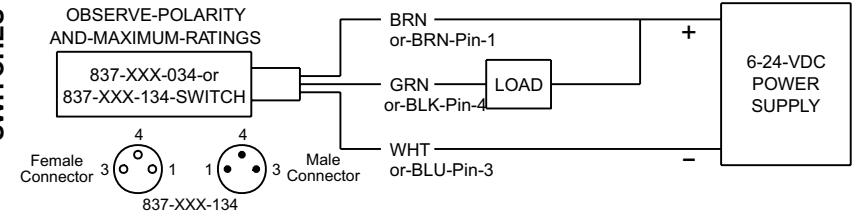


NOTE:-OPTION-G-NOT-AVAILABLE-ON-SERIES A12.

ROTOMATION-SINKING-(NPN)-SWITCH---OPTION-R

DESCRIPTION AND-RATING

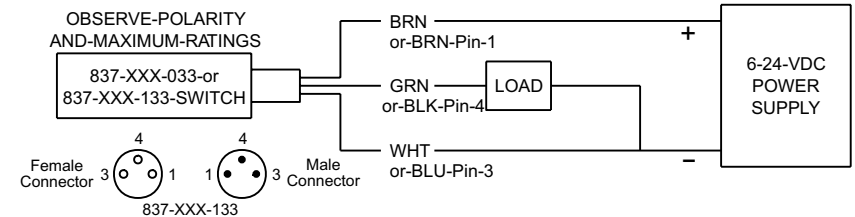
NO,-sinking-(NPN),-LED
Switching-voltage 6-to-24-VDC
Switching-current .5-a,-max.
Switching-power 12-w,-max.
Voltage-drop .5-V
Temperature-range -30-to-+80C
Environment Resistant-to-moisture,-dust,-oil



ROTOMATION-SOURCING-(PNP)-SWITCH---OPTION-S

DESCRIPTION AND-RATING

NO,-sourcing-(PNP),-LED
Switching-voltage 6-to-24-VDC
Switching-current .5-a,-max.
Switching-power 12-w,-max.
Voltage-drop .5-V
Temperature-range -30-to-+80C
Environment Resistant-to-moisture,-dust,-oil



ROTOMATION-TESTS ALL SWITCHES-FOR-PROPER-FUNCTION-BEFORE-SHIPMENT-AND-WILL NOT-REPLACE SWITCHES-THEREAFTER.