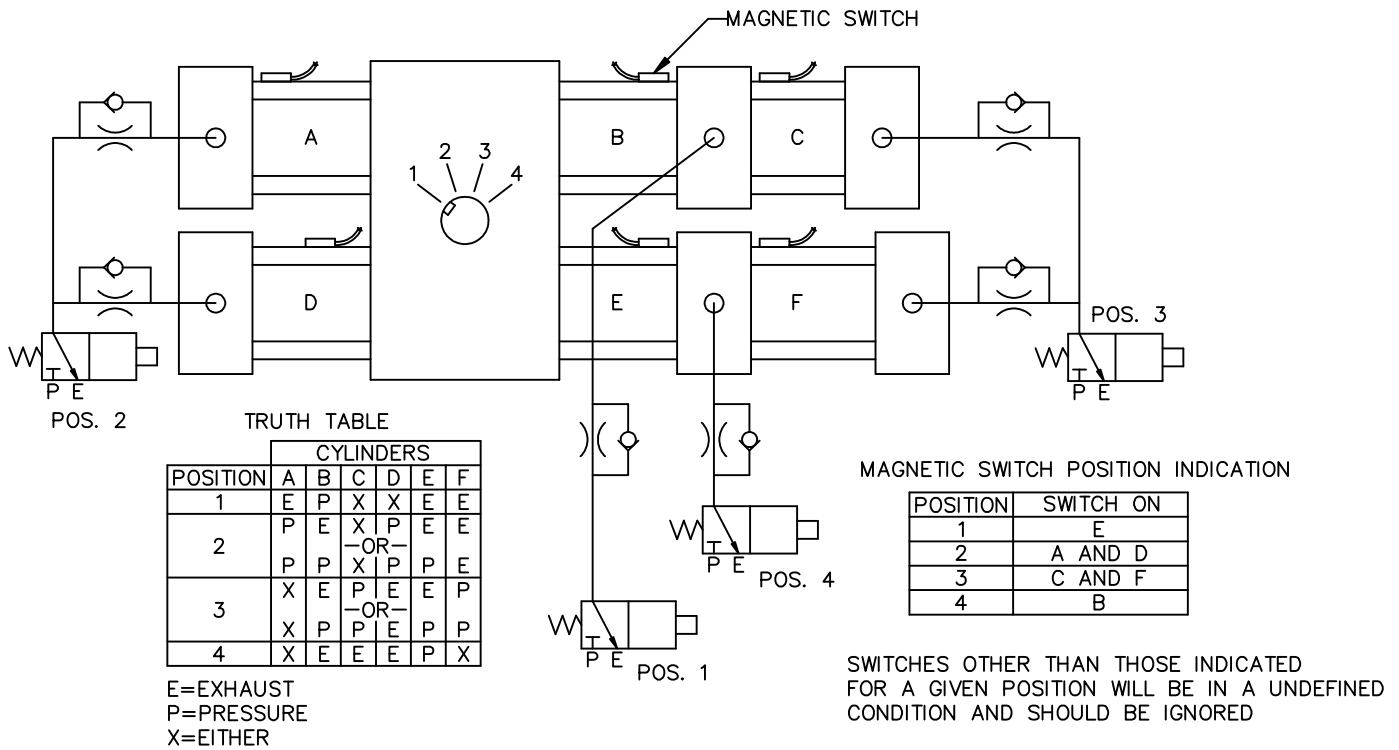


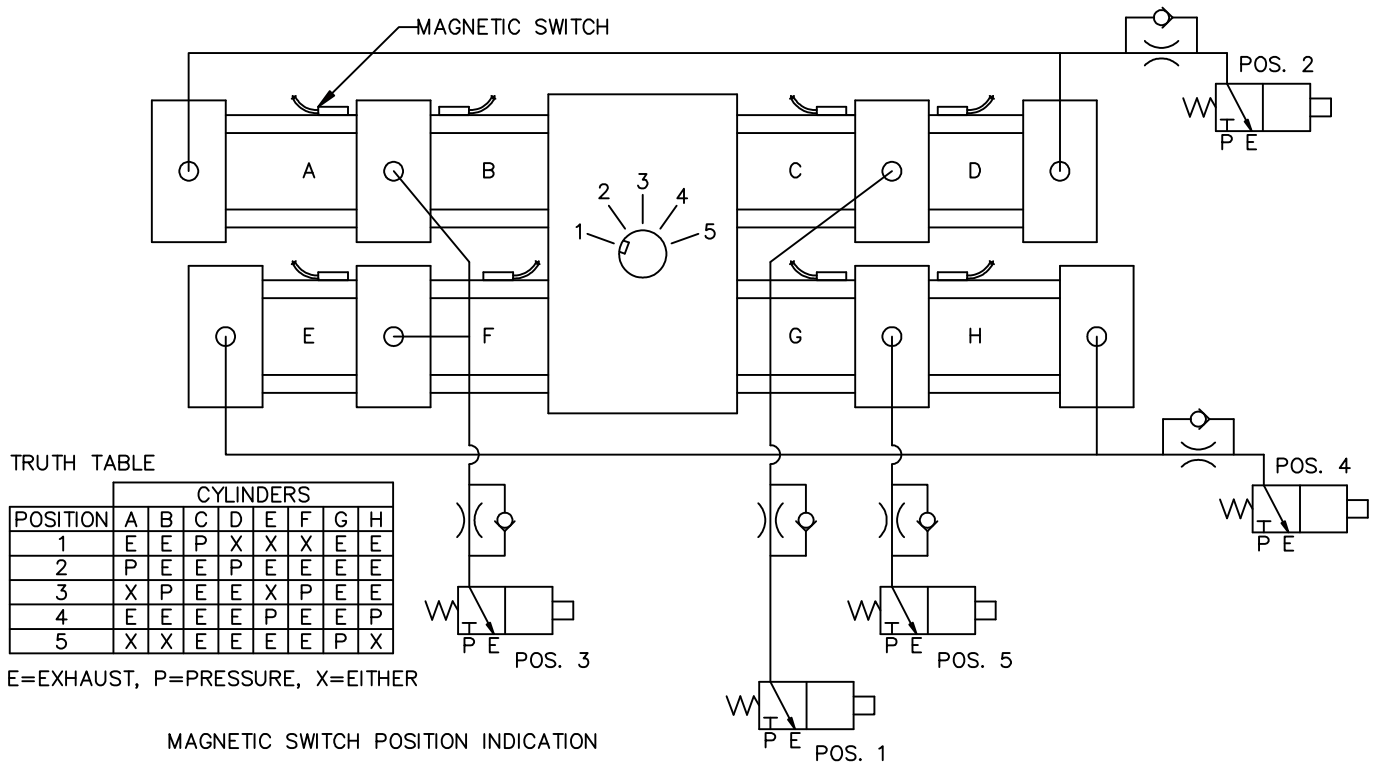
PLUMBING AND POSITION SENSING OF MULTI POSITION ROTARY ACTUATORS

Plumbing schematics shown for one 3 way valve per actuator shaft position. Other plumbing schemes are possible; refer to truth tables.

FOUR POSITION ACTUATOR USING INTERNAL STOPS & AUXILIARY PISTON STOPS



FIVE POSITION ACTUATOR USING INTERNAL STOPS & AUXILIARY PISTON STOPS



ROTOMATION

11 SUNSHINE BLVD. ORMOND BEACH, FL. 32174

PLUMBING AND POSITION SENSING OF MULTI POSITION ROTARY ACTUATORS

DWG. NO: SK-040_A