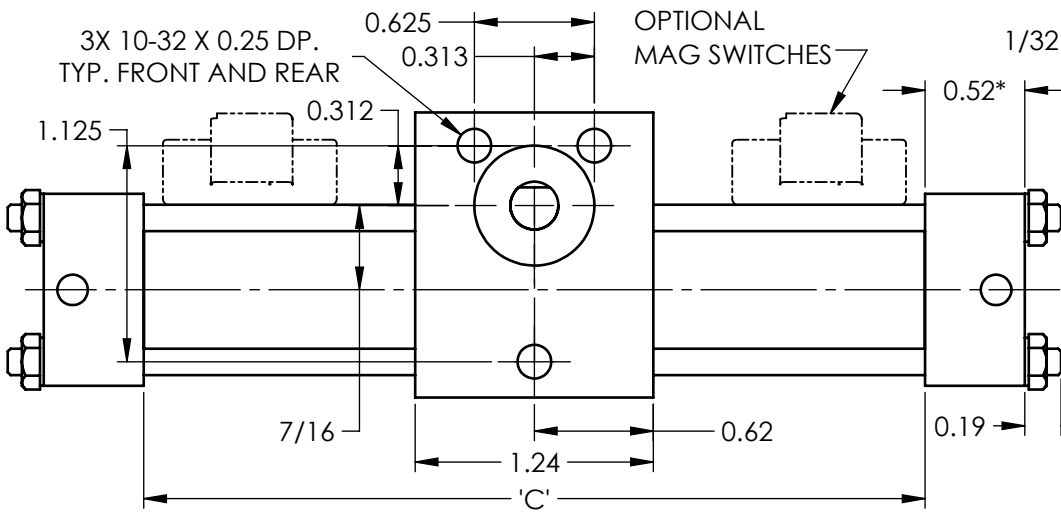


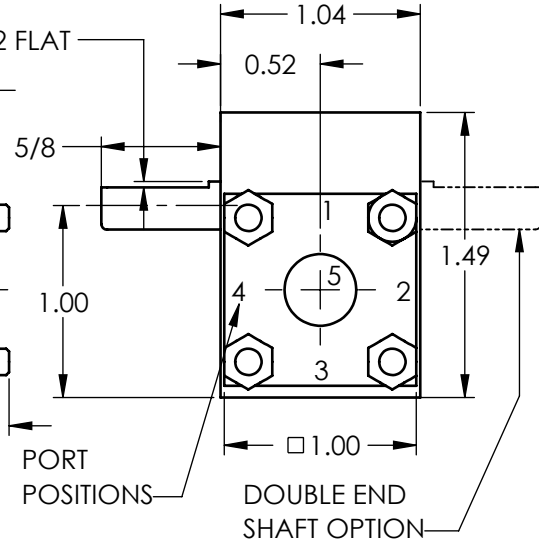
A01 ROTARY ACTUATOR

ALL DIMENSIONS IN INCHES

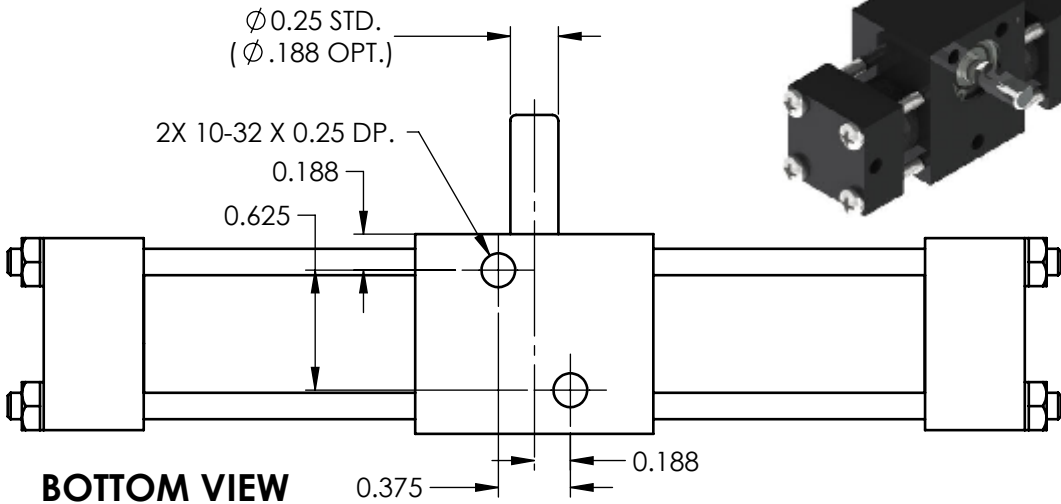


FRONT VIEW

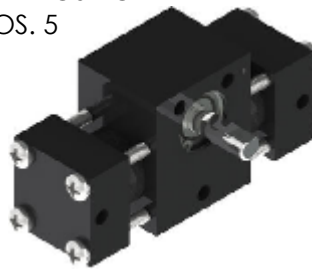
*10-32 PORT ANY POSITION OR 1/8 NPT POS. 5



END VIEW



BOTTOM VIEW



'C' DIMENSION

ROTATION -0/+5 (degrees)	STANDARD (inches)	'R' OR 'S' OPTION (inches)
30	1.33	4.06
45	1.46	4.13
60	1.59	4.20
90	1.86	4.20
100	1.94	4.20
120	2.12	4.20
180	2.64	4.20
190	2.73	4.20
270	3.43	4.20
360	4.21	4.71
370	4.30	4.80
540	5.78	6.28
550	5.87	6.37
720	7.35	7.85
730	7.44	7.94

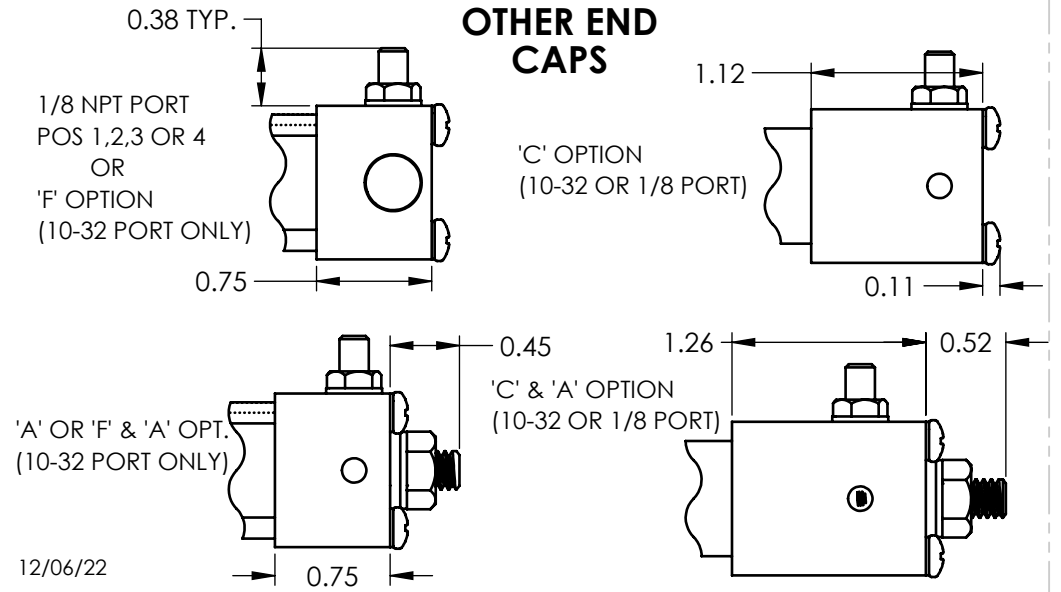
OPTIONS: ADD TO 'C' DIM. PER SIDE

'Q' OPTION	'Q' & 'A' OPTION	'HP', 'A', OR 'K' OPTION
0.06	0.13	N/A

RATINGS

Torque Factor (in-lb/psi)	0.077
Bore Diameter (in)	5/8
Max. Working Pressure (psi)	250
Rotational Accuracy (degrees)	-0/+5
Backlash end of stroke (degrees)	2.0
Max. Bearing Axial Load (lb)	19
Max. Bearing Radial Load (lb)	77
Shaft Bearing Spacing (in)	0.65
Displacement (in ³ /deg.)	0.0013
Weight: 180 deg. basic unit (lb)	0.5
Operating Temperature Range (°F):	Basic -20 to 180
	'Q' OPTION 0 to 130
	'R', or 'S' OPTION 0 to 160

OTHER END CAPS



12/06/22

A01 ACTUATOR OPTIONS

MOUNTING PLATE OPTIONS

