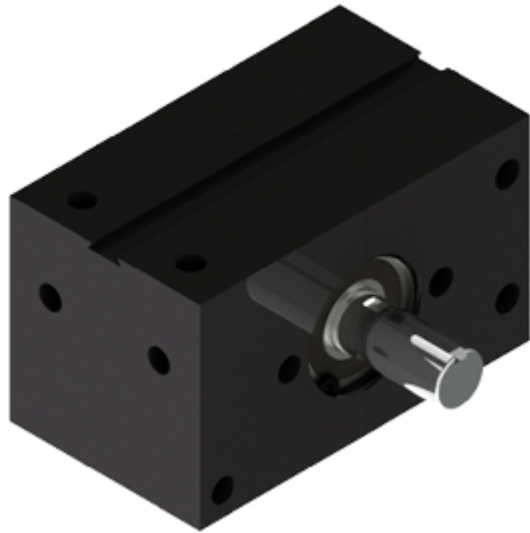


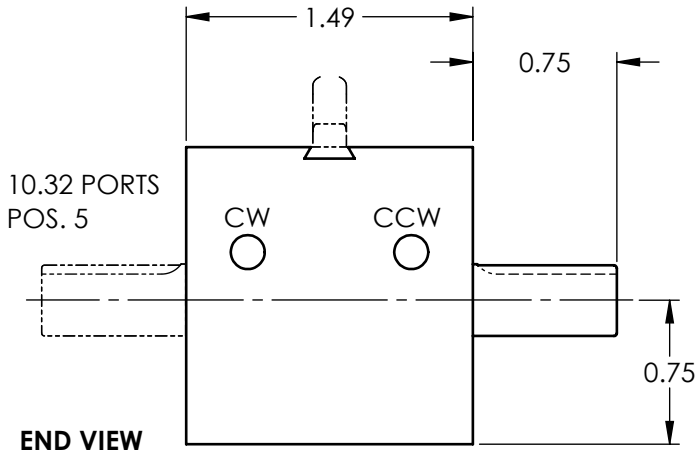
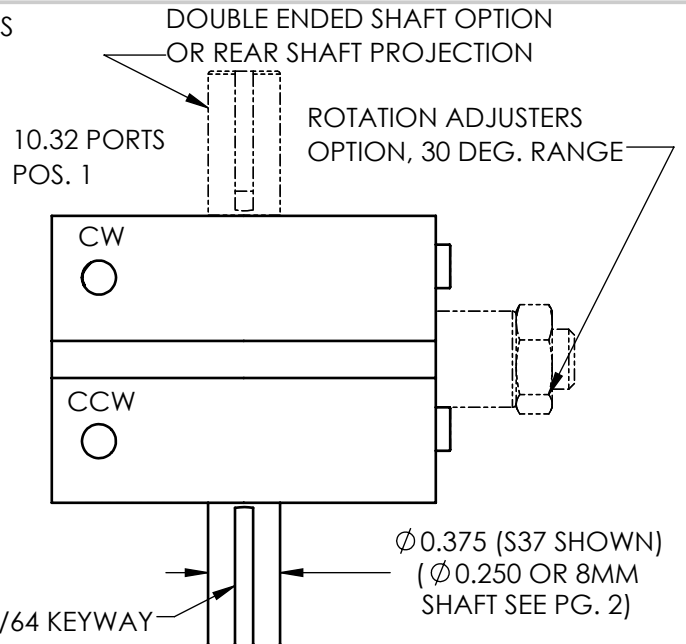
A032 COMPACT ACTUATOR

ALL DIMENSIONS IN INCHES

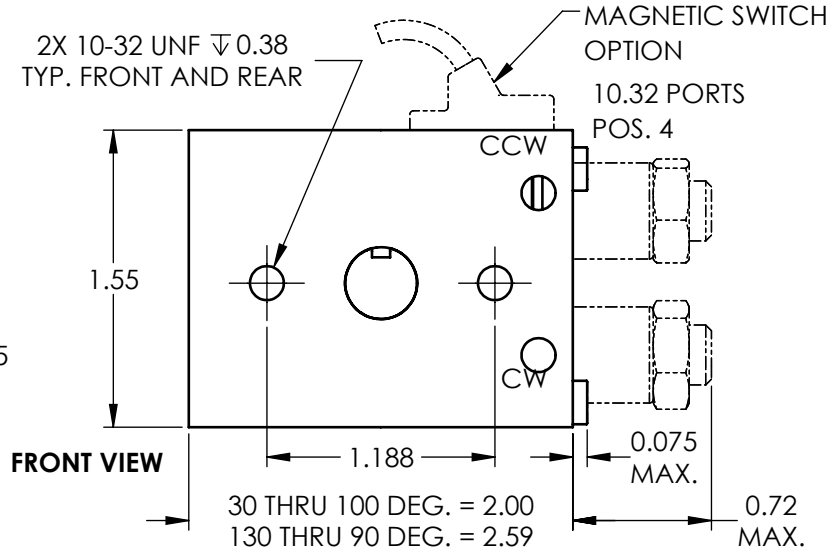


12/06/22

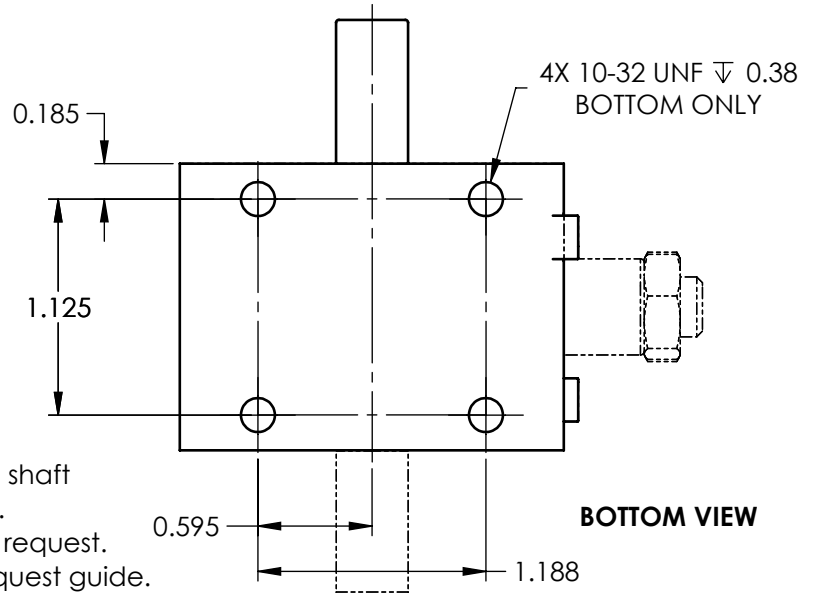
TOP VIEW



END VIEW



FRONT VIEW



BOTTOM VIEW

RATINGS

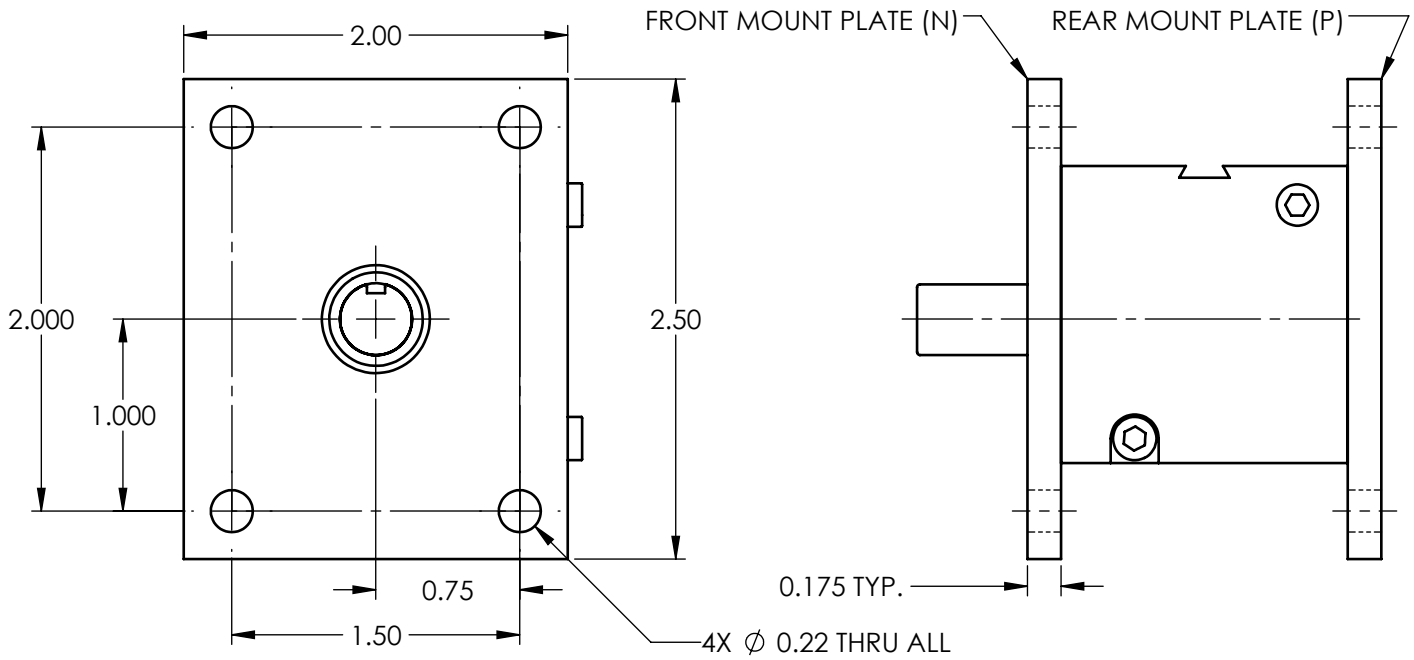
Torque Factor (in-lb/psi)	0.115
Bore Diameter (in)	5/8
Max. Working Pressure (psi)	150
Backlash end of stroke (degrees)	0.0
Max. Bearing Axial Load (lb)	76
Max. Bearing Radial Load (lb)	305
Shaft Bearing Spacing (in)	1.06
Displacement (in ³ /deg.)	0.0020
Weight: 180 deg. basic unit (lb)	0.5
Operating Temp. Range (°F):	Basic -20 to 130
	'Q' OPTION 0 to 130

NOTE:

1. The position of the ports and adjusters relative to the shaft can be changed by specifying rear projecting shaft.
2. 10-32 ports can be retapped to M5x.8 threads upon request.
3. For plumbing and magnetic switch system setup, request guide.

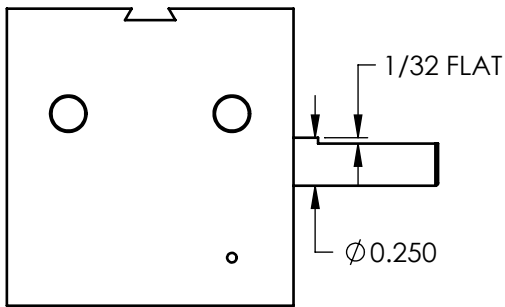
A032 ACTUATOR OPTIONS

MOUNTING PLATE OPTIONS



SHAFT OPTIONS

S25 SHAFT



S8M SHAFT

UNITS: [MM]
INCH

