

**O-RING INFORMATION**

FOR UNITS WITH:

1. ROTATION 100° OR LESS AND SERIAL NUMBER SMALLER THAN **37096X101**, OR WITH
  2. ROTATION OVER 100° AND SERIAL NUMBER SMALLER THAN **37111X101**,
- USE OLD O-RING AS FOLLOWS:

- STANDARD: A032-042
- VITON: A032-043

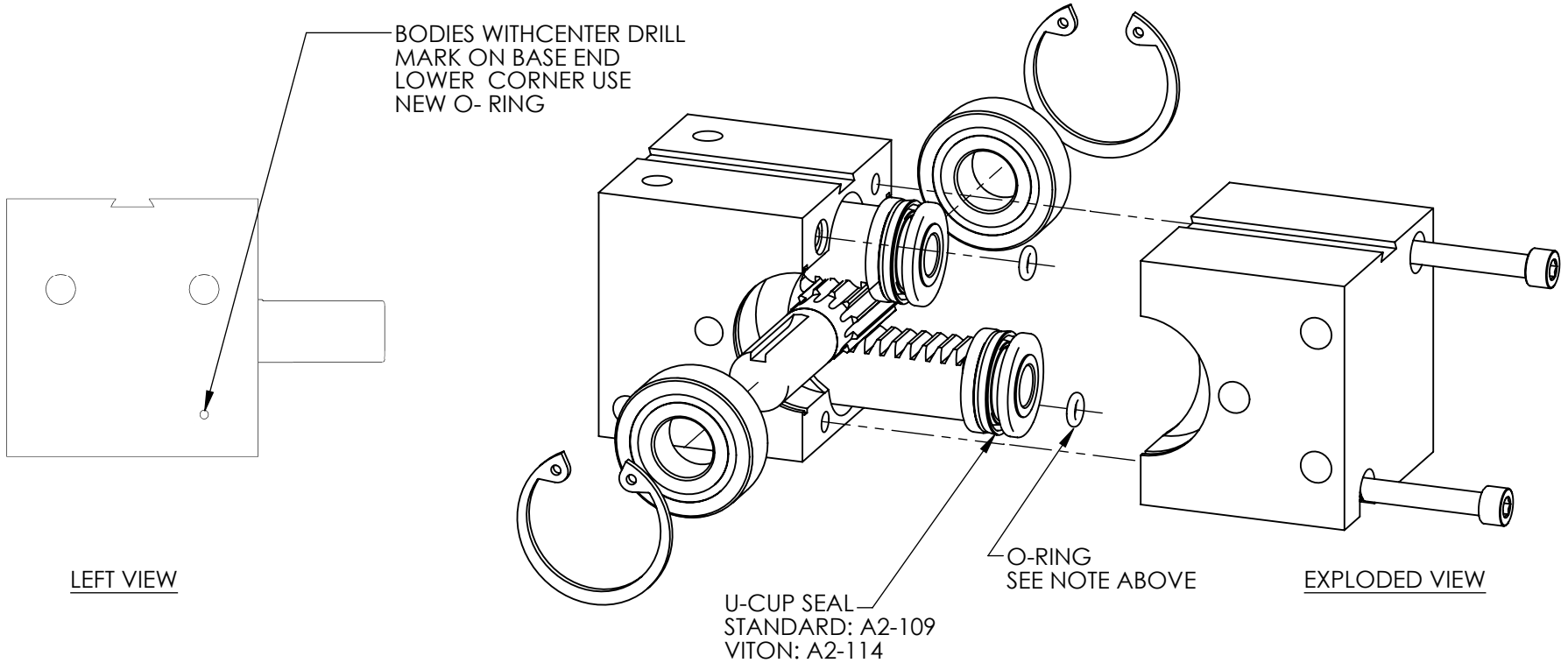
FOR ALL OTHER UNITS (MARKED AS SHOWN BELOW), USE NEW O-RING AS FOLLOWS:

- STANDARD: A032-067
- VITON: A032-068

**O-RING COMPARISON**

- ⊙ NEW
- ⊙ OLD

NOMINAL SIZE SHOWN  
SCALE 1:1 (IF PRINTED AT  
100% SCALE)



**NOTES:**

1. DO NOT SCALE FROM THIS DRAWING.

11 SUNSHINE BLVD  
ORMOND BEACH, FL  
Phone: (386)676-6377  
Fax: (386)676-6379  
www.rotomation.com



Title  
A032 SEAL ID SHEET  
BASIC CONFIGURATION

APPROVALS		DATE	SIZE	PART NO	Filename:
DRAWN	DT	1/11/2011	A	SK-360	SK-360
CHECKED	JMC	4/27/2011	SCALE	1:1	THIRD ANGLE PROJECTION

SHEET SHEET 1 OF 1