

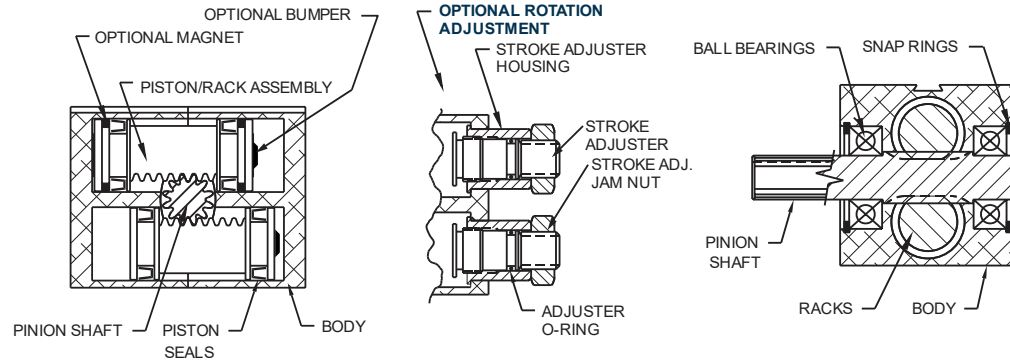


PART NUMBERS FOR SEAL REPAIR KITS

SRK - A032 - A - V If the actuator does not have an option leave the box blank.
SERIES ROTATION ADJUSTERS FKM

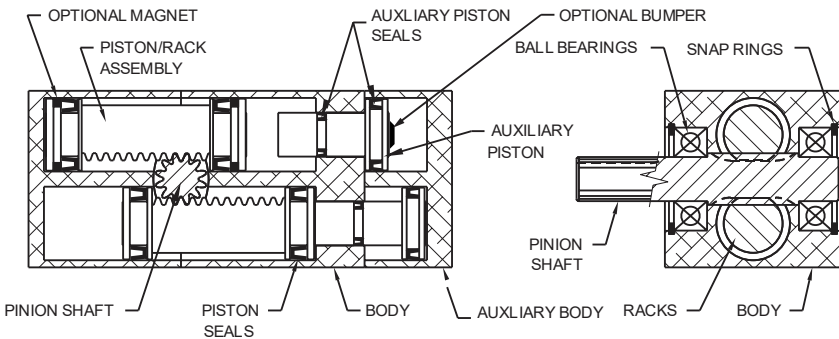
EXAMPLES:
SEAL KIT FOR A032-90-TC-S37-10.32-1 = SRK-A032-STD
SEAL KIT FOR A032-180-TC-D37-3A-10.32-5 = SRK-A032-3A
SEAL KIT FOR SPECIAL, SUCH AS A032-B004 = SRK-A032-B004
IF PART NUMBER IS NOT KNOWN, PROVIDE UNIT SERIAL NUMBER FROM LABEL OR STAMPED INTO BODY UNDER LABEL.

A032 (2) POSITION ACTUATOR PARTS LOCATION



A032 (3) POSITION ACTUATOR PARTS LOCATION

A032 (3) POSITION ACTUATOR PARTS LOCATION

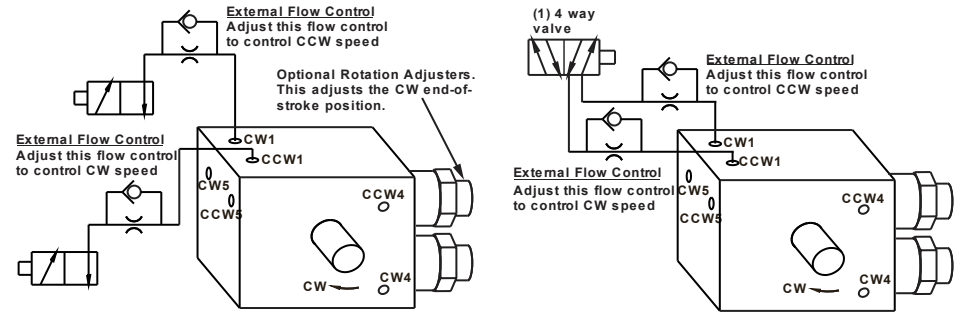


NOTE:
ORDER PARTS BY PART NAME AND COMPLETE PART NUMBER OR SERIAL NUMBER.

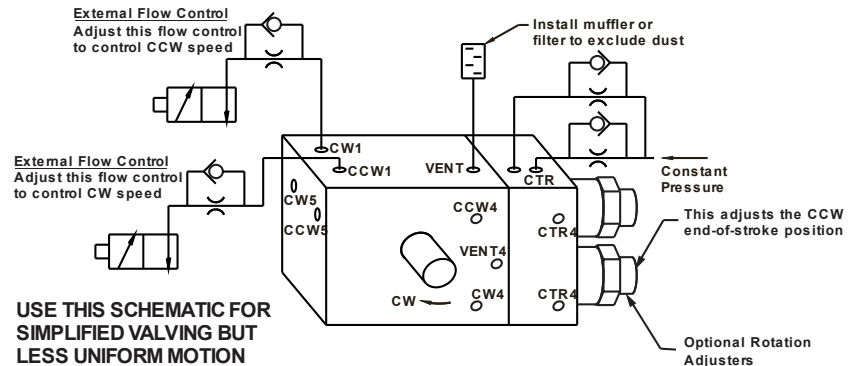
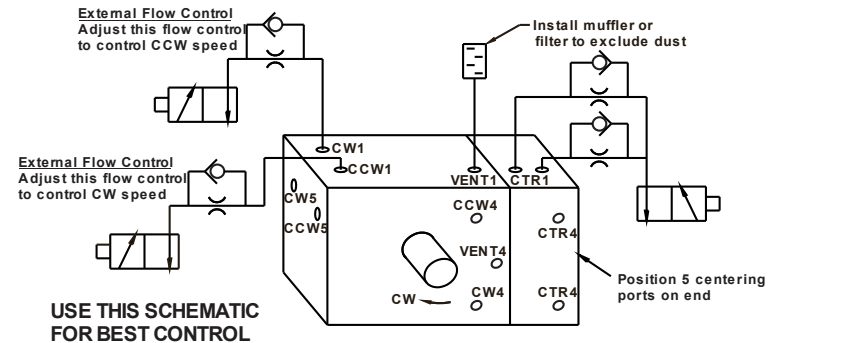
Rotomation's customers have been relying on our actuators and drives for their manufacturing needs for over 50 years. We provide high-quality, rugged products, built to your exact specifications, with unmatched reliability, and unrelenting support,

Clients Choose Us!

A032 (2) POSITION ROTARY ACTUATOR INSTALLATION & SETUP



A032 (3) POSITION ROTARY ACTUATOR INSTALLATION & SETUP





ADJUST IN THE FOLLOWING ORDER

Skip options your actuator does not have

1) **To adjust rotation "A" option**

- a) Apply pressure to rotate the desired direction
- b) Loosen jam nut using 7/16 wrench
- c) Adjust position using hex key wrench in the rotary adjuster
- d) Tighten jam nut while holding rotation adjuster steady

2) **Adjust magnetic switch "G", "R", or "S" option**

- a) DISABLE AUTOMATIC CONTROL. KEEP CLEAR OF SHAFT AND SHAFT-MOUNTED PARTS!
- b) Apply voltage to switch only, place switch at end of the body, cable toward center

2A) **For signal at end of the rotation**

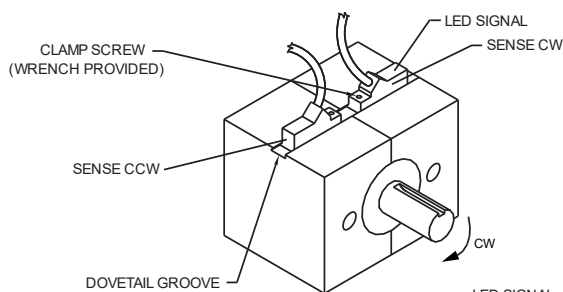
- a) Drive unit to end of the rotation
- b) Move switch toward the center of the body until LED glows, clamp
- c) Set flow controls for low speed
- d) Cycle to check operating point, adjust as required

2B) **For signal before the end of the rotation**

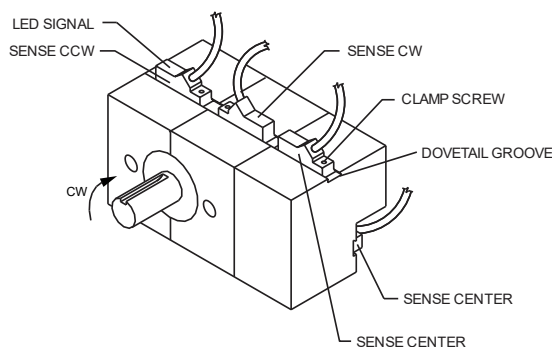
- a) Position shaft to the switching point
- b) Move switch toward center of the body until LED glows, clamp
- c) Set flow controls for low speed
- d) Cycle to check operating point, adjust as required

2C) **To set centering switches**

- a) Position shaft to the center
- b) Move one center sensing switch inward toward the body, then slowly outward until the LED glows, then clamp
- c) Repeat for other center sensing switch



ACTUATOR SWITCH PLACEMENT



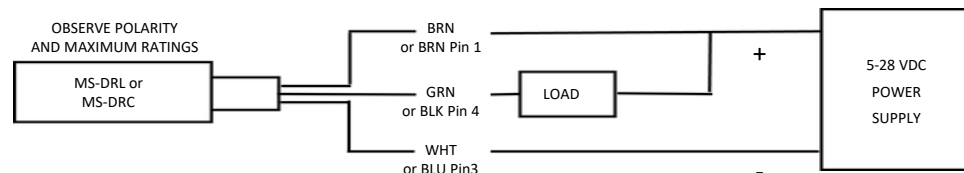
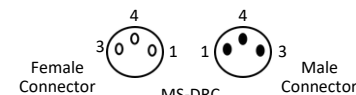
MAGNETIC CONTROL OPTIONS

Optional magnetic pistons and switches may be installed to provide position signals to the control system, usually at the end of the stroke.

ROTOMATION SINKING (NPN) SWITCH - OPTION R

Description and Rating

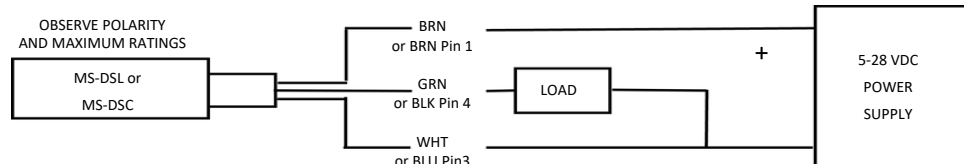
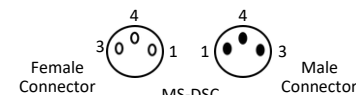
NO sinking (NPN), LED
 Switching voltage 5 to 28 VDC
 Switching current .2A, Max.
 Switching power 4.8w, Max.
 Voltage drop 1.0V
 Temperature range -20 to +80C
 Environment NEMA 6



ROTOMATION SOURCING (PNP) SWITCH - OPTION S

Description and Rating

NO sourcing (PNP), LED
 Switching voltage 5 to 28 VDC
 Switching current .2A, Max.
 Switching power 4.8w, Max.
 Voltage drop 1.0V
 Temperature range -20 to +80C
 Environment NEMA 6



SWITCH LEADS

Description	Specify:
9 ft. PVC cable, 3 conductor, color-coded	L
6 in. pigtail with 8 mm. quick disconnect	C

EXTENSION CABLES - ORDER SEPARATELY:

Cables have 8 mm locking connectors to connect to "C" switches, above 3 conductors color-coded brown, black, and blue.

Cable Length	Part Number
2 Meter	MS-CC2
5 Meter	MS-CC5
10 Meter	MS-CC10

ROTOMATION TESTS ALL SWITCHES FOR PROPER FUNCTION BEFORE SHIPMENT AND CANNOT REPLACE THEREAFTER. SWITCHES FROM OTHER MANUFACTURERS HAVE NO GUARANTEE OF COMPATIBLE PERFORMANCE BY ROTOMATION, INC.