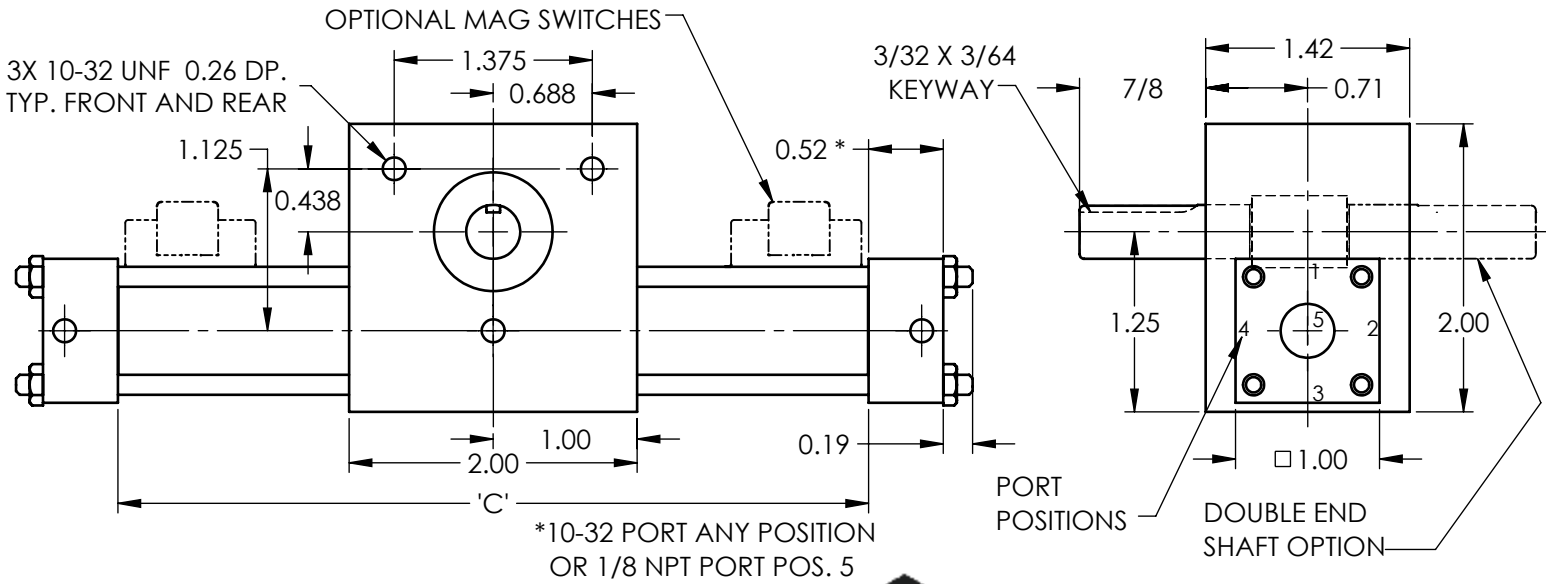


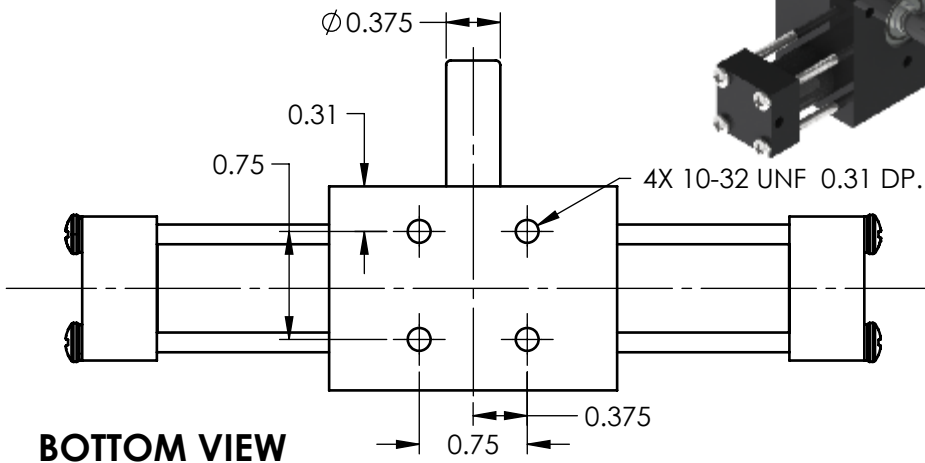
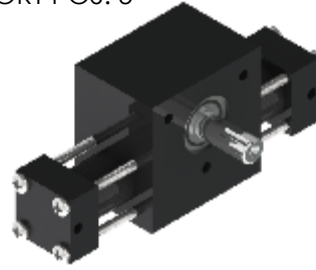
A1 ROTARY ACTUATOR

ALL DIMENSIONS IN INCHES



FRONT VIEW

END VIEW



BOTTOM VIEW

'C' DIMENSION		
ROTATION -0/+3 (degrees)	STANDARD (Inches)	'R' OR 'S' OPTION (Inches)
30	2.06	4.95
45	2.06	5.08
60	2.25	5.21
90	2.78	5.21
100	2.95	5.21
120	3.30	5.21
180	4.35	5.21
190	4.52	5.21
270	5.92	6.42
360	7.49	7.99
370	7.66	8.16
540	10.63	11.13
550	10.80	11.30
720	13.77	14.27
730	13.95	14.45

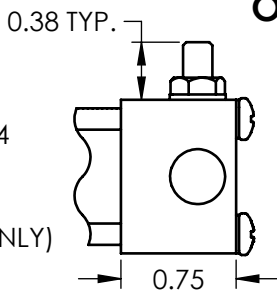
OPTIONS: ADD TO 'C' DIM. PER SIDE

'Q' OPTION	'Q' & 'A' OPTION	'HP', 'A', OR 'K' OPTION
0.06	0.13	N/A

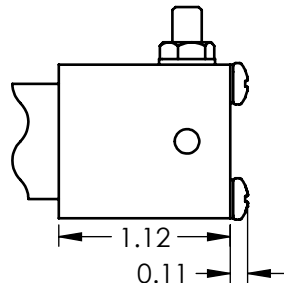
RATINGS

Torque Factor (in-lb/psi)	0.153
Bore Diameter (in)	5/8
Max. Working Pressure (psi)	250
Rotational Accuracy (degrees)	-0/+3
Backlash end of stroke (degrees)	1.0
Max. Bearing Axial Load (lb)	76
Max. Bearing Radial Load (lb)	305
Shaft Bearing Spacing (in)	1.00
Displacement (in ³ /deg.)	0.0026
Weight: 180 deg. basic unit (lb)	1.0
Operating Temp. Range (°F):	Basic -20 to 180
	'R', 'S', 'Q', or 'HS37' OPTION 0 to 160

OTHER END CAPS

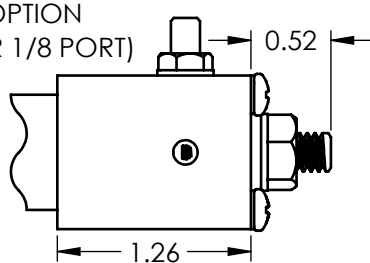
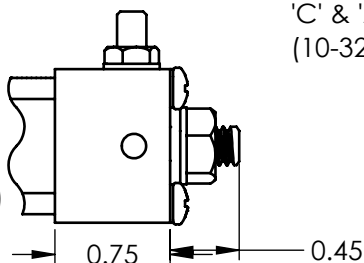


'C' OPTION (10-32 OR 1/8 NPT PORT)



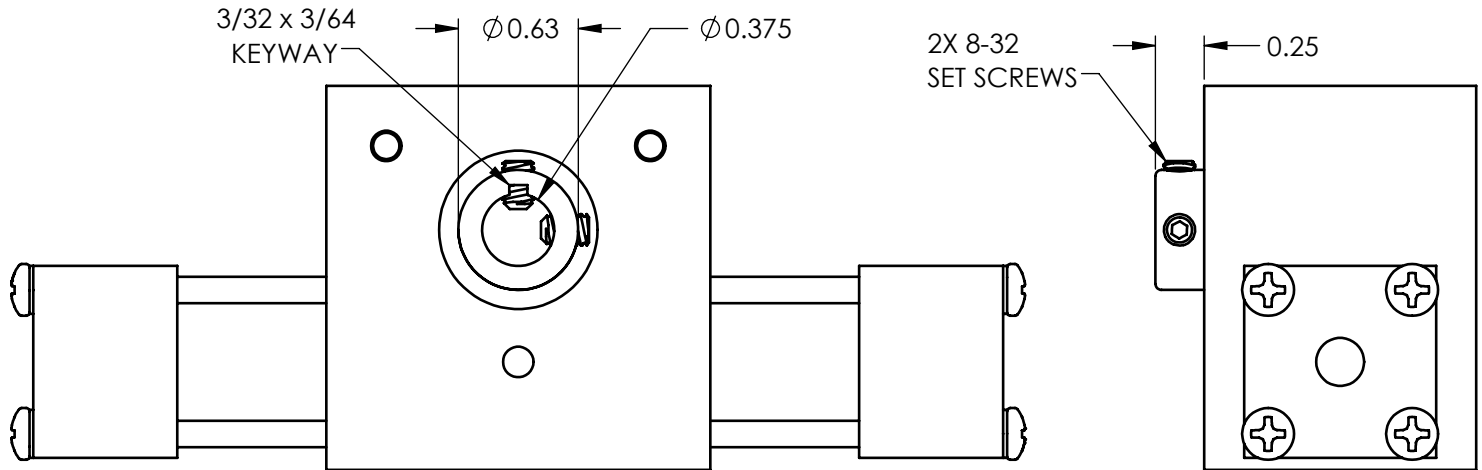
'C' & 'A' OPTION (10-32 OR 1/8 PORT)

'A' (10-32 OR 1/8) OR 'F' & 'A' OPT. (10-32 PORT ONLY)

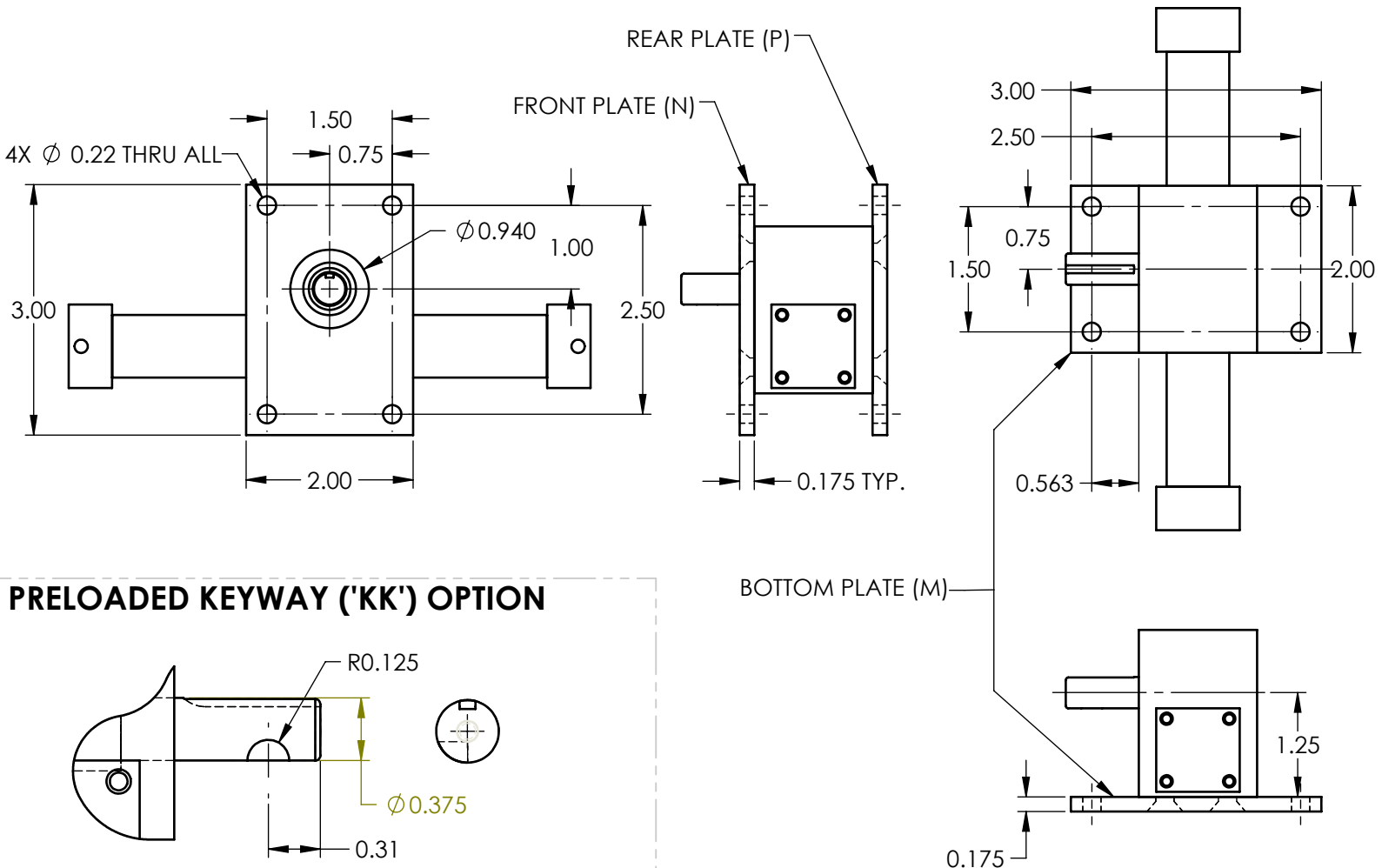


A1 ACTUATOR OPTIONS

HOLLOW SHAFT OPTION



MOUNTING PLATE OPTIONS



PRELOADED KEYWAY ('KK') OPTION

