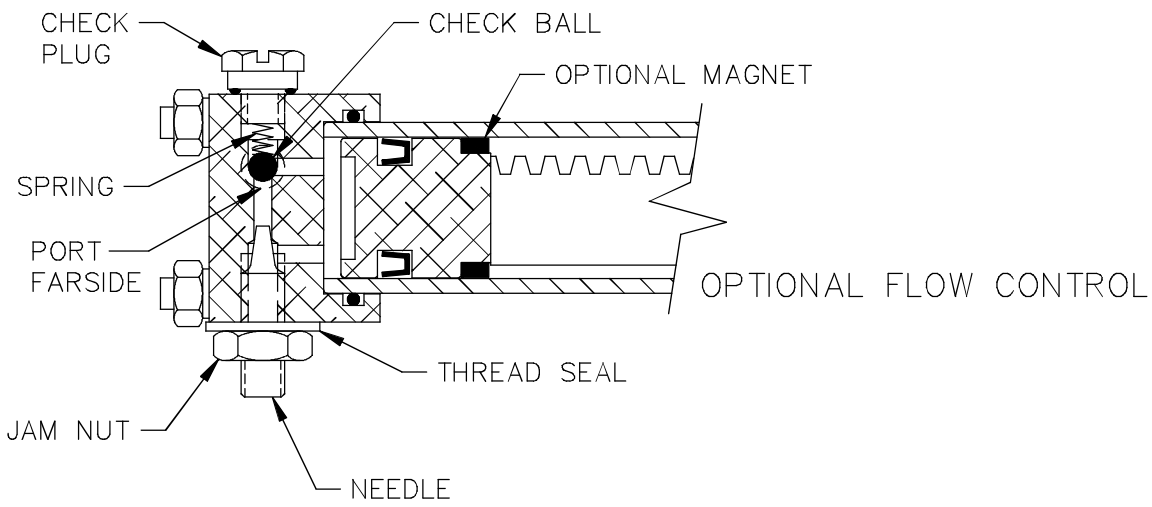
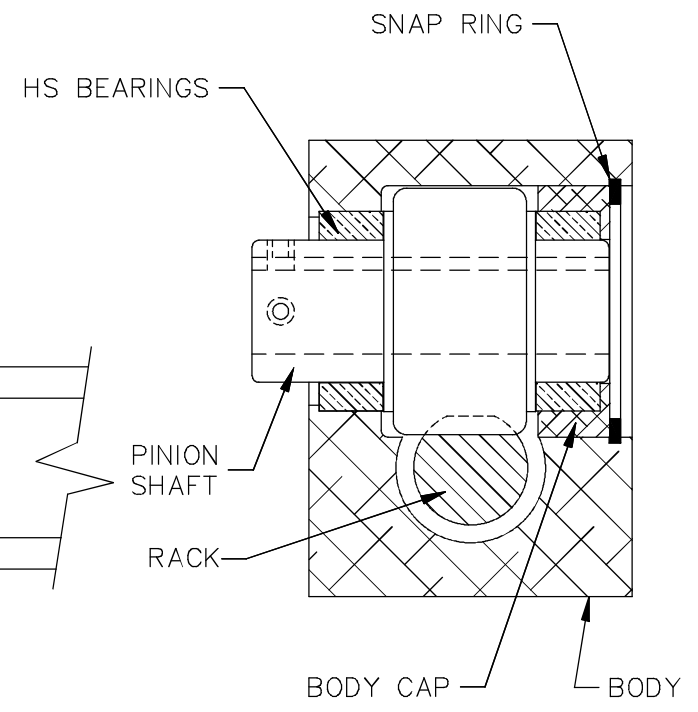
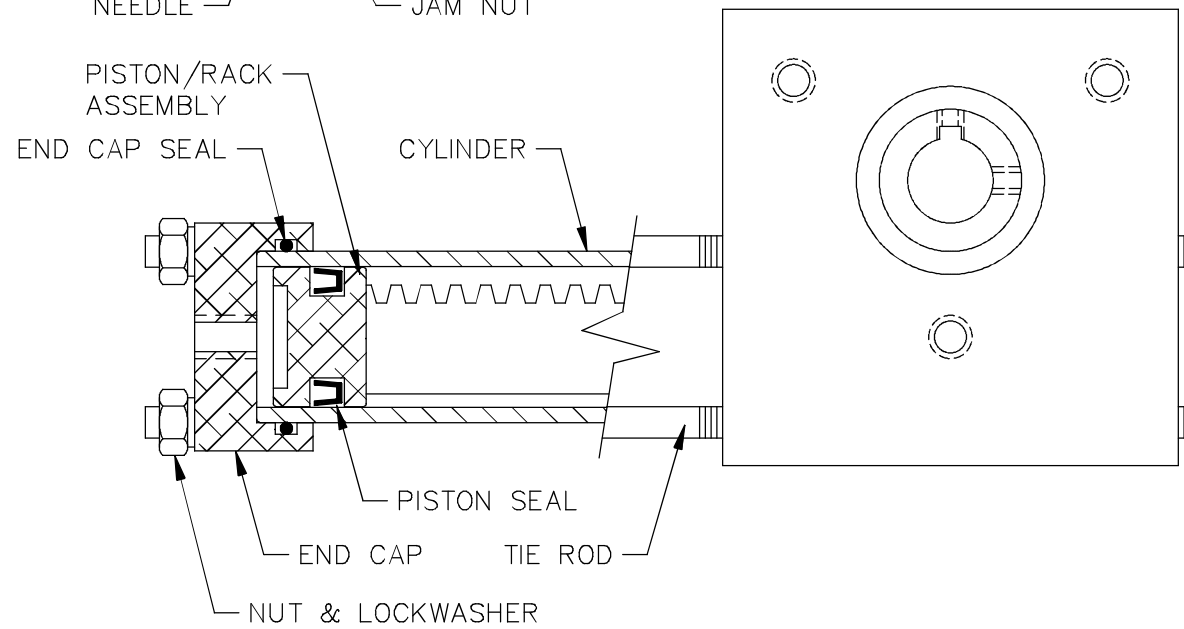
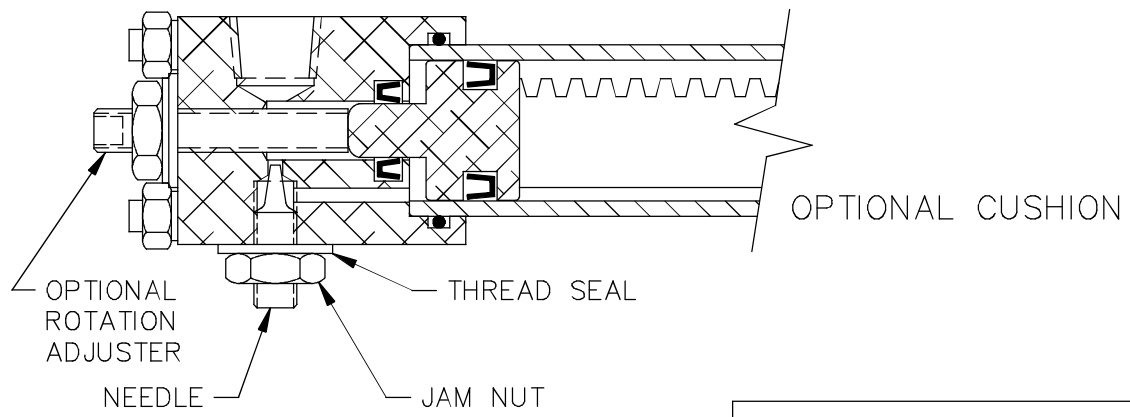


**NOTE:**  
ORDER PARTS BY PART NAME AND COMPLETE UNIT SPECIFICATION NUMBER OR SERIAL NUMBER.



A1 PARTS LOCATION

DWG. NO. A1-018



**NOTE:**  
ORDER PARTS BY PART NAME AND COMPLETE UNIT SPECIFICATION NUMBER OR SERIAL NUMBER.



A1 HS PARTS LOCATION

DWG. NO. A1-155