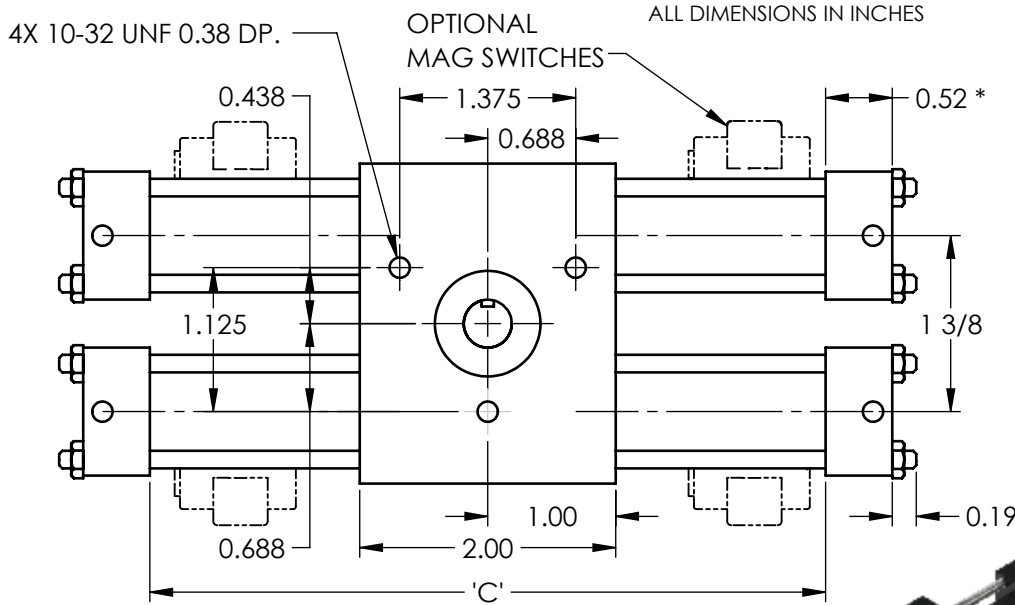
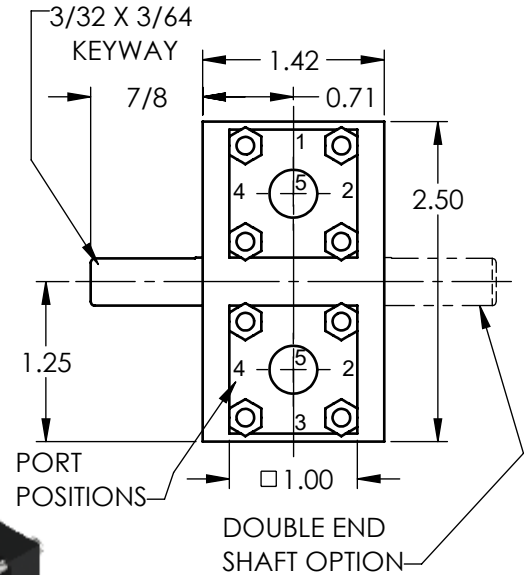


A12-3P ROTARY ACTUATOR

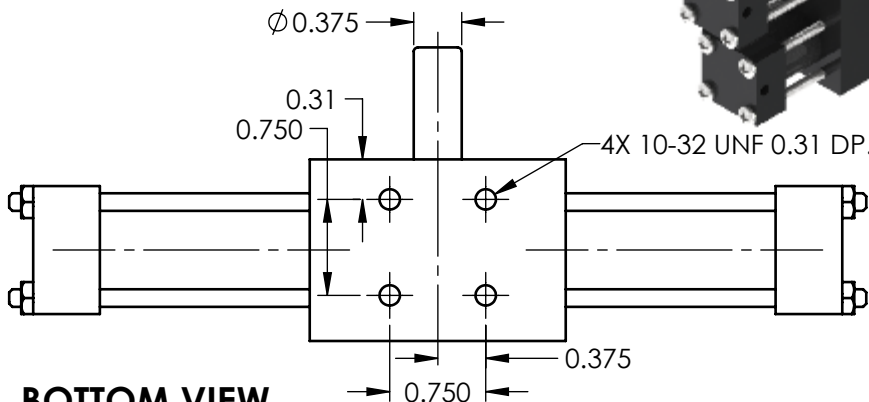


FRONT VIEW

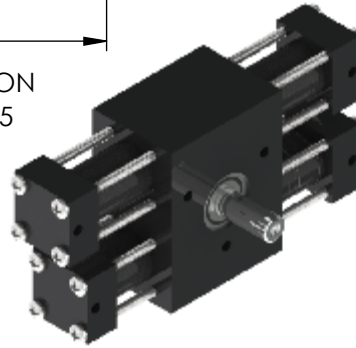
*10-32 PORT ANY POSITION OR 1/8 NPT PORT POS. 5



END VIEW



BOTTOM VIEW



'C' DIMENSION

ROTATION -0/+3 (degrees)	STANDARD (inches)	'R' OR 'S' OPTION (inches)
30	2.62	5.02
45	2.88	5.15
60	3.15	5.28
90	3.67	5.28
100	3.84	5.28
120	4.19	5.28
180	5.24	5.74
190	5.42	5.92
270	6.81	7.31
360	8.38	8.88
370	8.56	9.06
540	11.52	12.02
550	11.70	12.20
720	14.67	15.17
730	14.84	15.34

OPTIONS: ADD TO 'C' DIM. PER SIDE

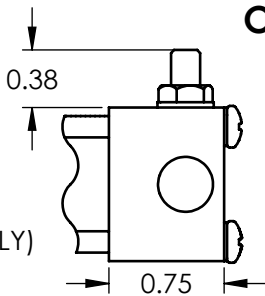
'Q' OPTION	'Q' & 'A' OPTION	'HP', 'A', OR 'K' OPTION
0.06	0.13	N/A

RATINGS

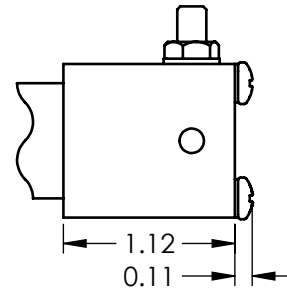
Torque Factor (in-lb/psi)	0.153	
Bore Diameter (in)	5/8	
Max. Working Pressure (psi)	250	
Backlash end of stroke (degrees)	1.0	
Max. Bearing Axial Load (lb)	76	
Max. Bearing Radial Load (lb)	305	
Shaft Bearing Spacing (in)	1.00	
Displacement (in ³ /deg.)	0.0052	
Weight: 180 deg. basic unit (lb)	1.6	
Operating Temp. Range (°F):	Basic	-20 to 180
	'R', 'S', 'Q', or 'HS37' OPTION	0 to 160

OTHER END CAPS

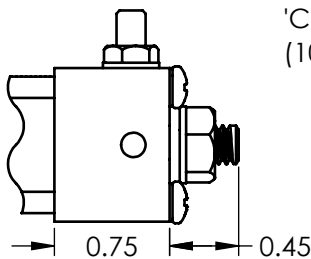
1/8 NPT PORT POS. 1,2,3, OR 4 OR 'F' OPTION (10-32 PORT ONLY)



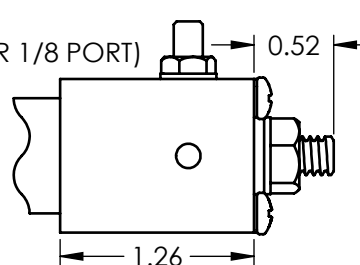
'C' OPTION (10-32 OR 1/8 NPT PORT)



'A' (10-32 OR 1/8) OR 'F' & 'A' (10-32 PORT ONLY)



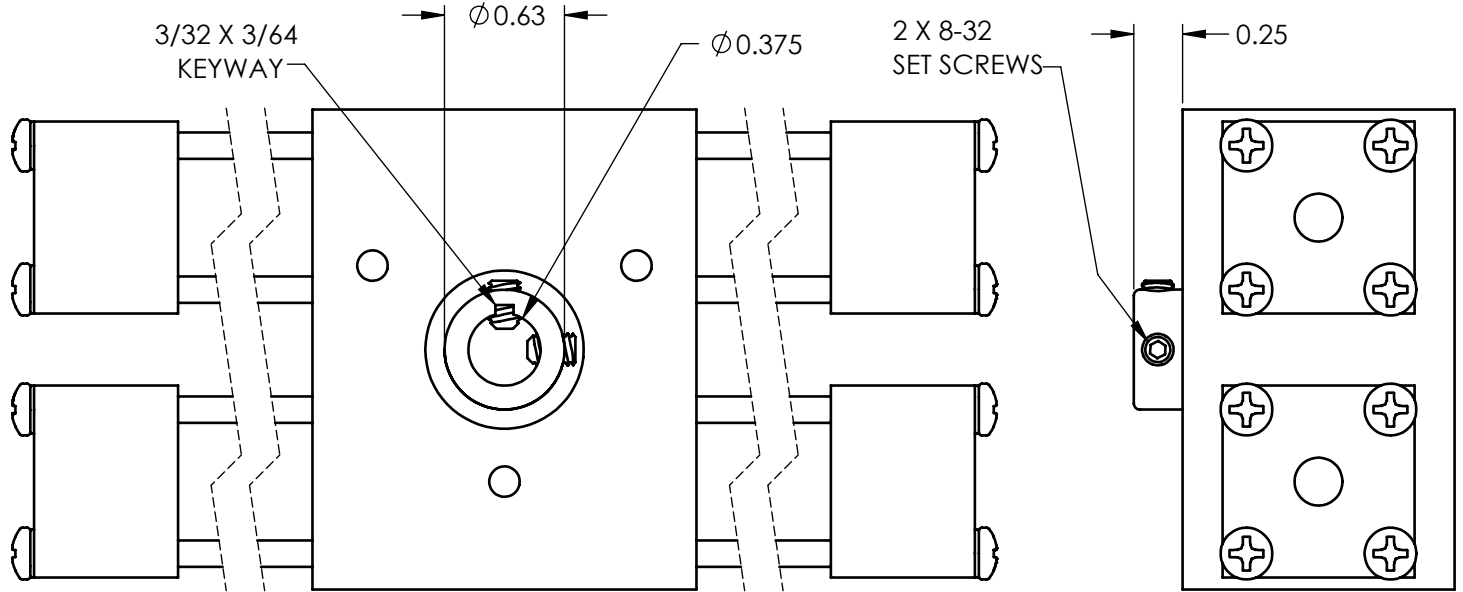
'C' & 'A' (10-32 OR 1/8 PORT)



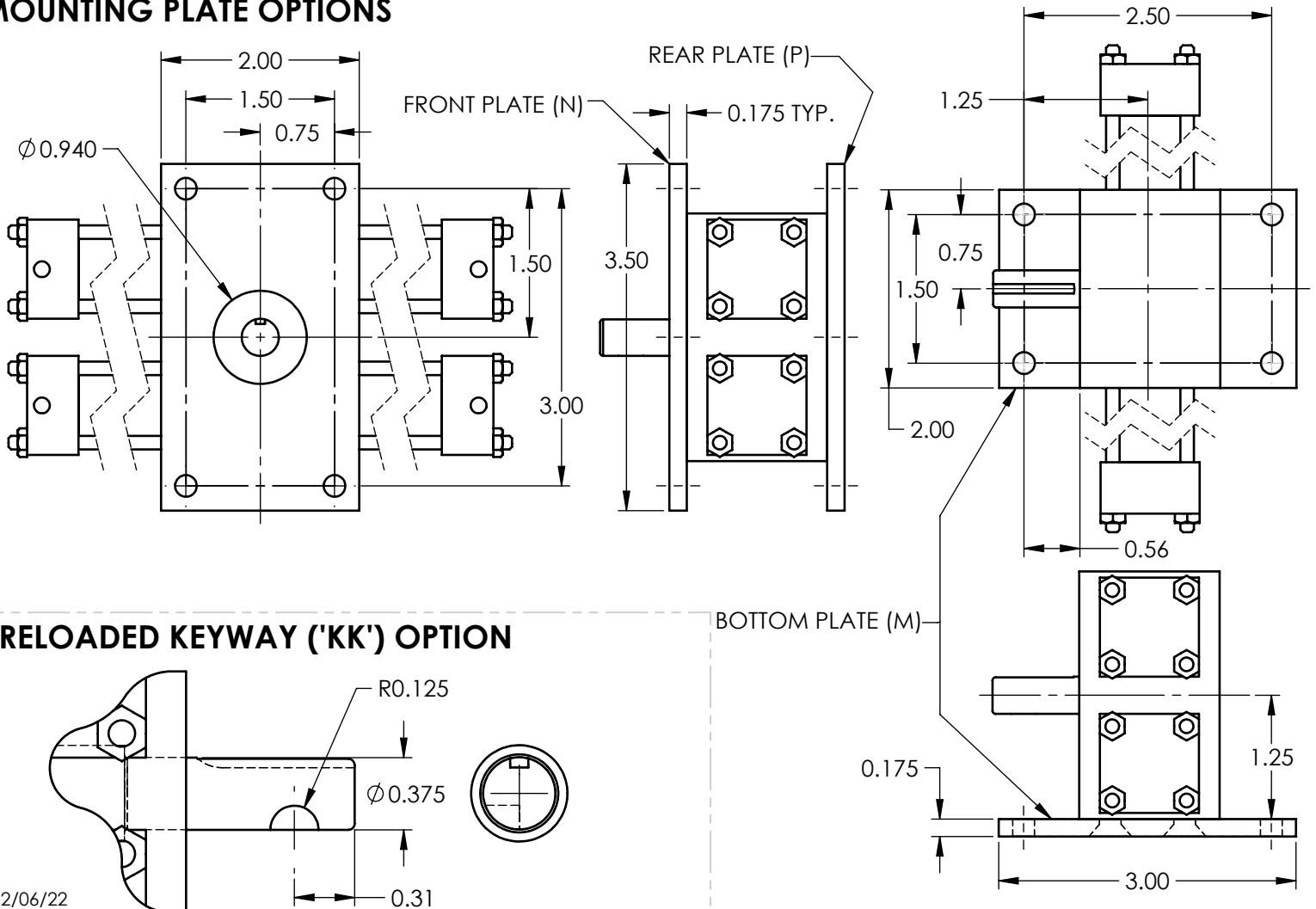
12/06/22

A12-3P ACTUATOR OPTIONS

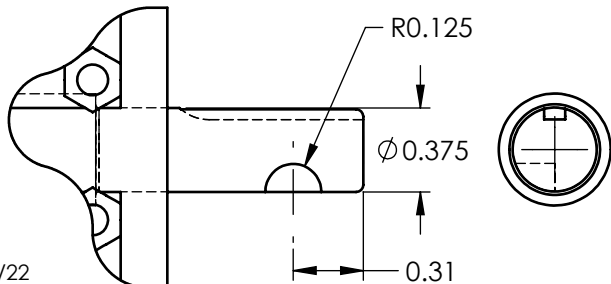
HOLLOW SHAFT OPTION



MOUNTING PLATE OPTIONS



PRELOADED KEYWAY ('KK') OPTION



12/06/22