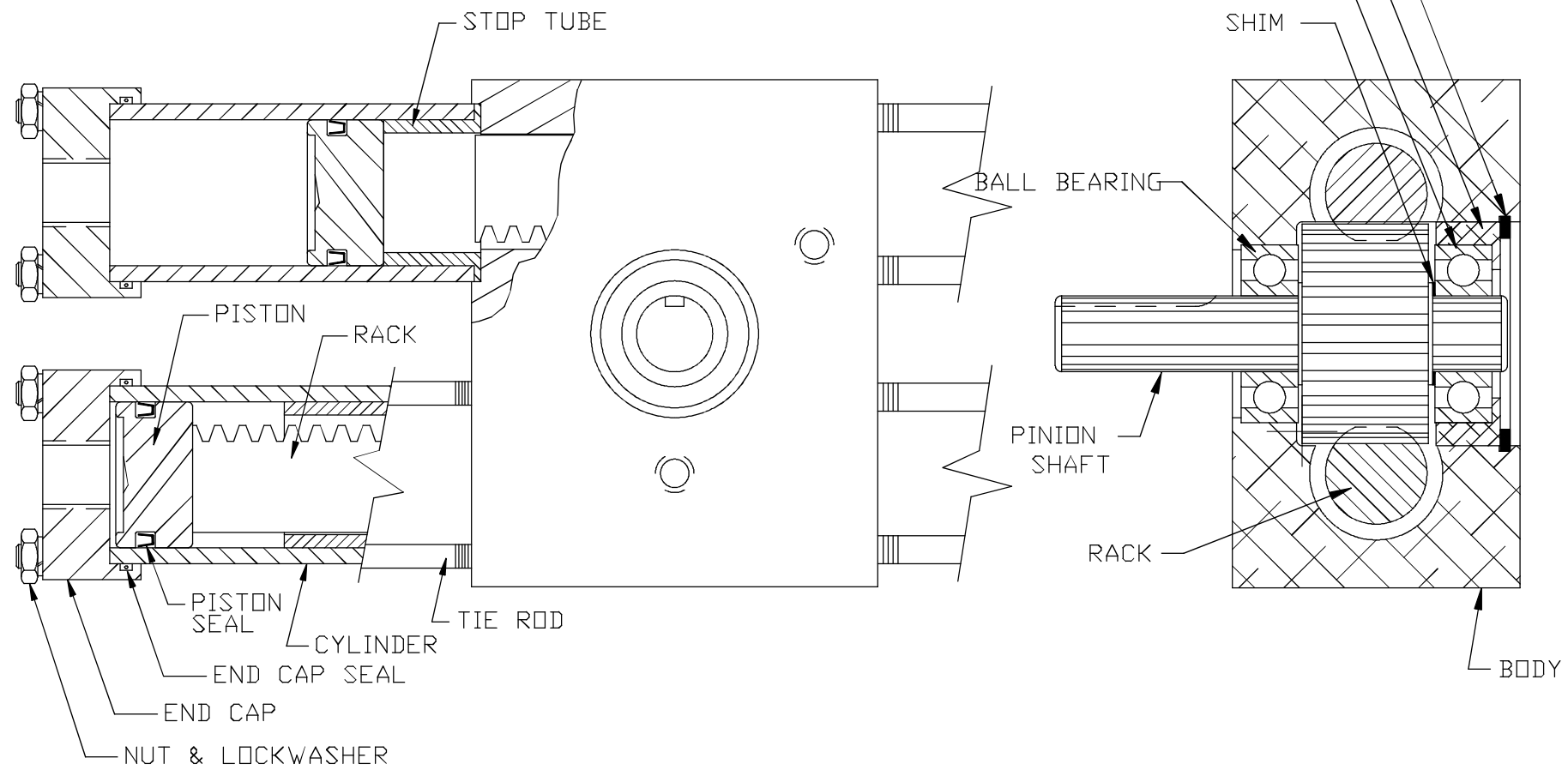


NOTE:  
 ORDER PARTS BY PART NAME AND COMPLETE UNIT  
 SPECIFICATION NUMBER OR SERIAL NUMBER.



END CAP OPTIONS SAME AS SINGLE  
 AND DOUBLE RACK UNITS.

REINSTALL RACKS, PISTONS, CYLINDERS  
 AND STOP TUBES IN ORIGINAL POSITIONS  
 TO MAINTAIN STOP POSITION ACCURACY.

**ROTOMATION**  
 11 SUNSHINE BLVD. ORMOND BEACH, FL. 32174

A12 3 POSITION ACTUATOR PARTS LOCATION

DWG. NO. A1-158