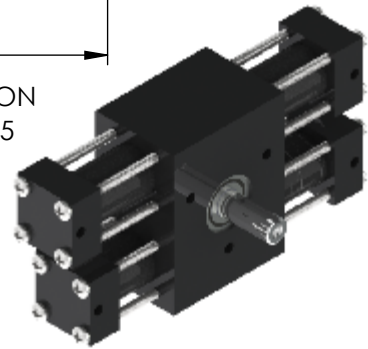
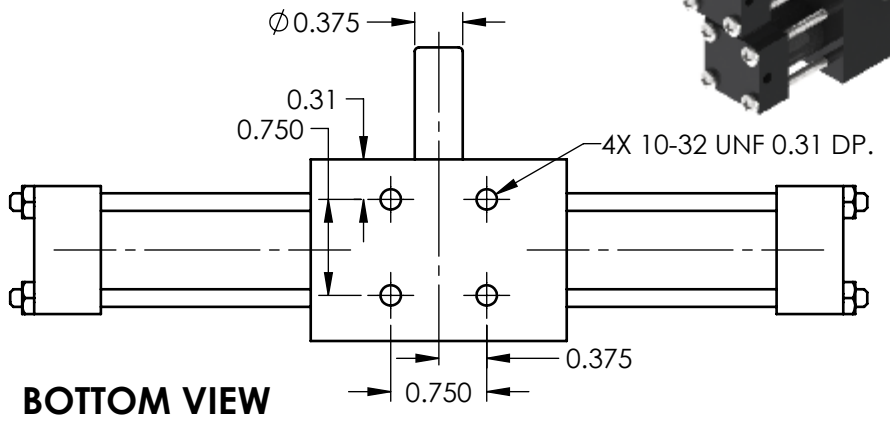
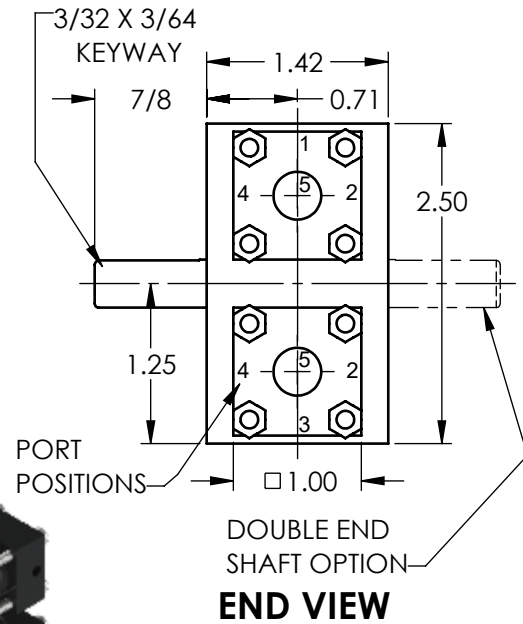
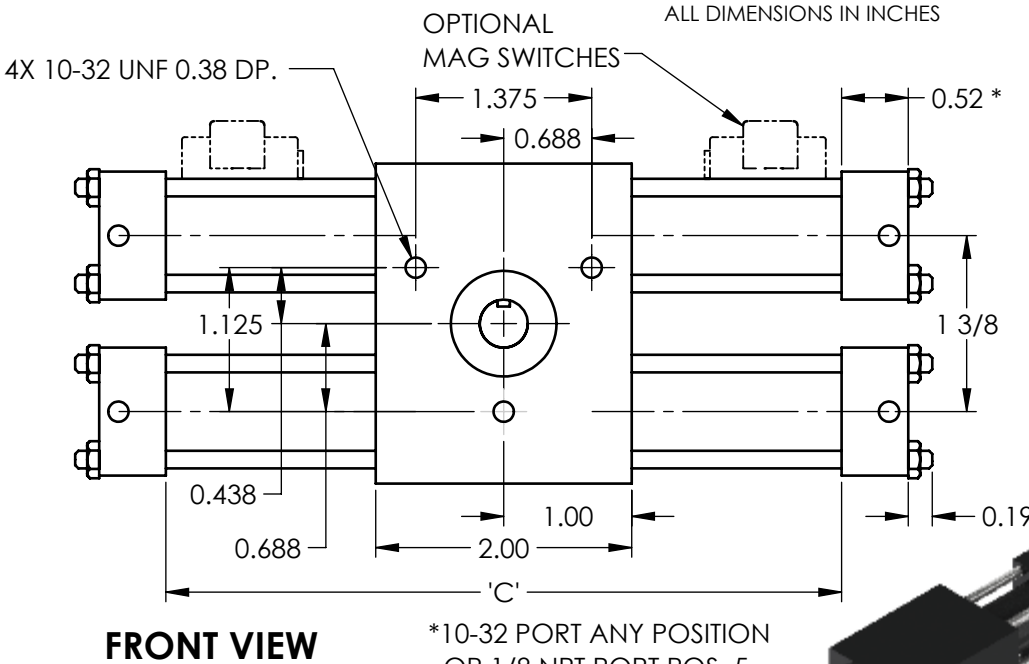


# A12 ROTARY ACTUATOR



**'C' DIMENSION**

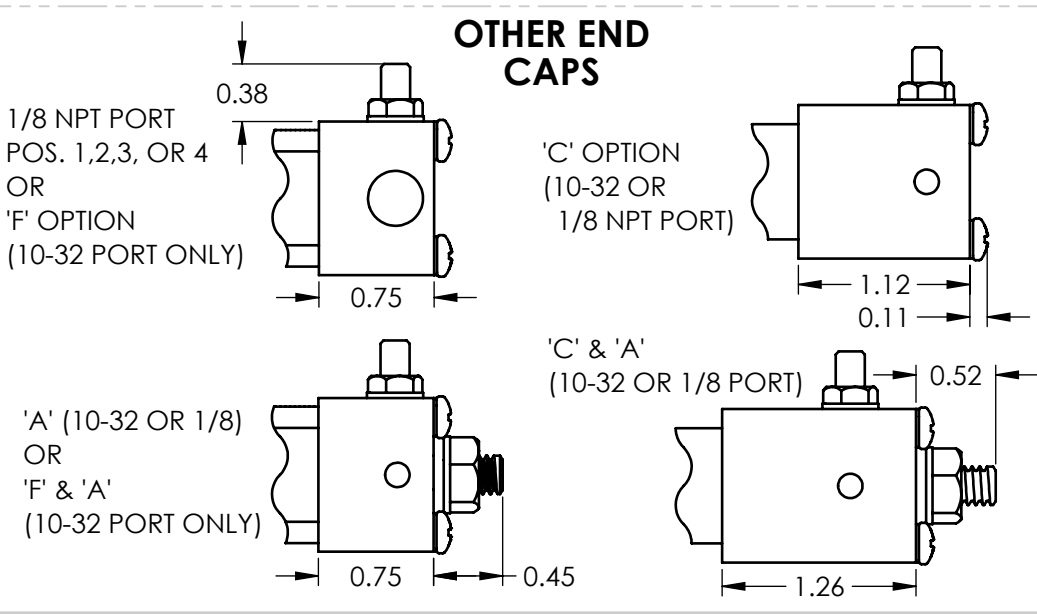
ROTATION -0/+3 (degrees)	STANDARD (inches)	'R' OR 'S' OPTION (inches)
30	2.62	5.02
45	2.88	5.15
60	3.15	5.28
90	3.67	5.28
100	3.84	5.28
120	4.19	5.28
180	5.24	5.74
190	5.42	5.92
270	6.81	7.31
360	8.38	8.88
370	8.56	9.06
540	11.52	12.02
550	11.70	12.20
720	14.67	15.17
730	14.84	15.34

**OPTIONS: ADD TO 'C' DIM. PER SIDE**

'Q' OPTION	'Q' & 'A' OPTION	'HP', 'A', OR 'K' OPTION
0.06	0.13	N/A

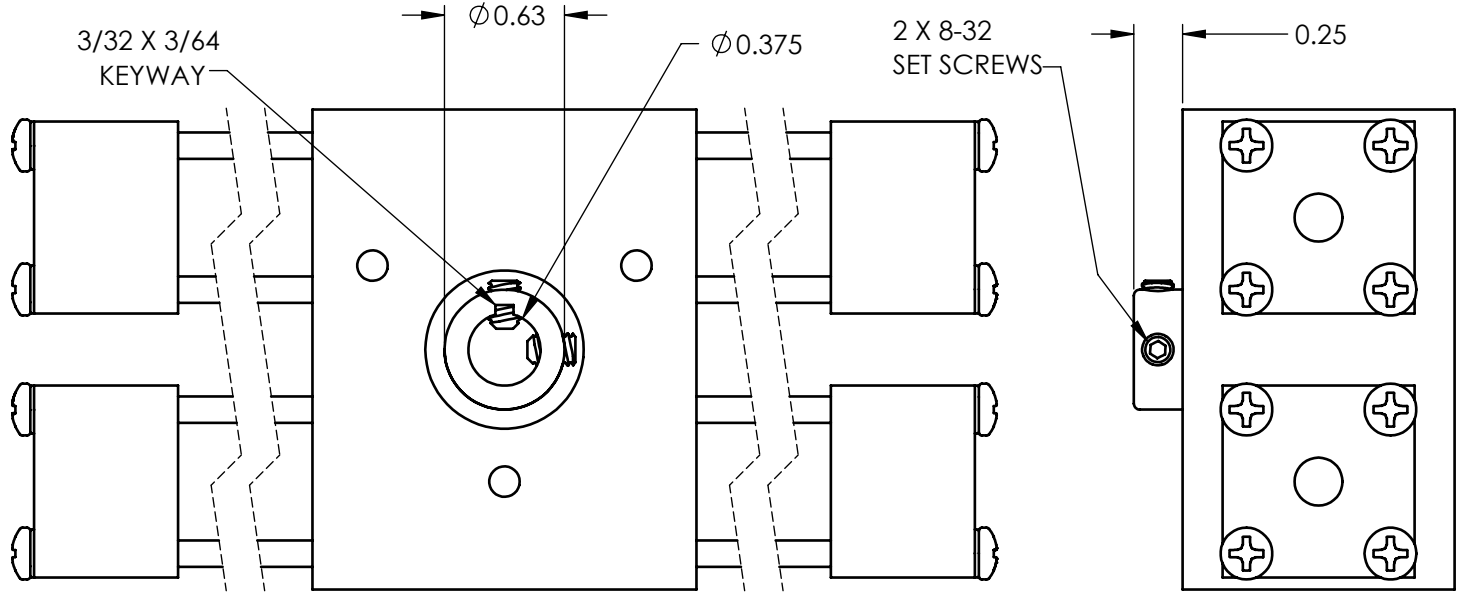
**RATINGS**

Torque Factor (in-lb/psi)	0.306	
Bore Diameter (in)	5/8	
Max. Working Pressure (psi)	250	
Rotational Accuracy (degrees)	-0/+3	
Backlash end of stroke (degrees)	0.0	
Max. Bearing Axial Load (lb)	76	
Max. Bearing Radial Load (lb)	305	
Shaft Bearing Spacing (in)	1.00	
Displacement (in <sup>3</sup> /deg.)	0.0052	
Weight: 180 deg. basic unit (lb)	1.6	
Operating Temp. Range (°F):	Basic	-20 to 180
	'R', 'S', 'Q', or 'HS37' OPTION	0 to 160

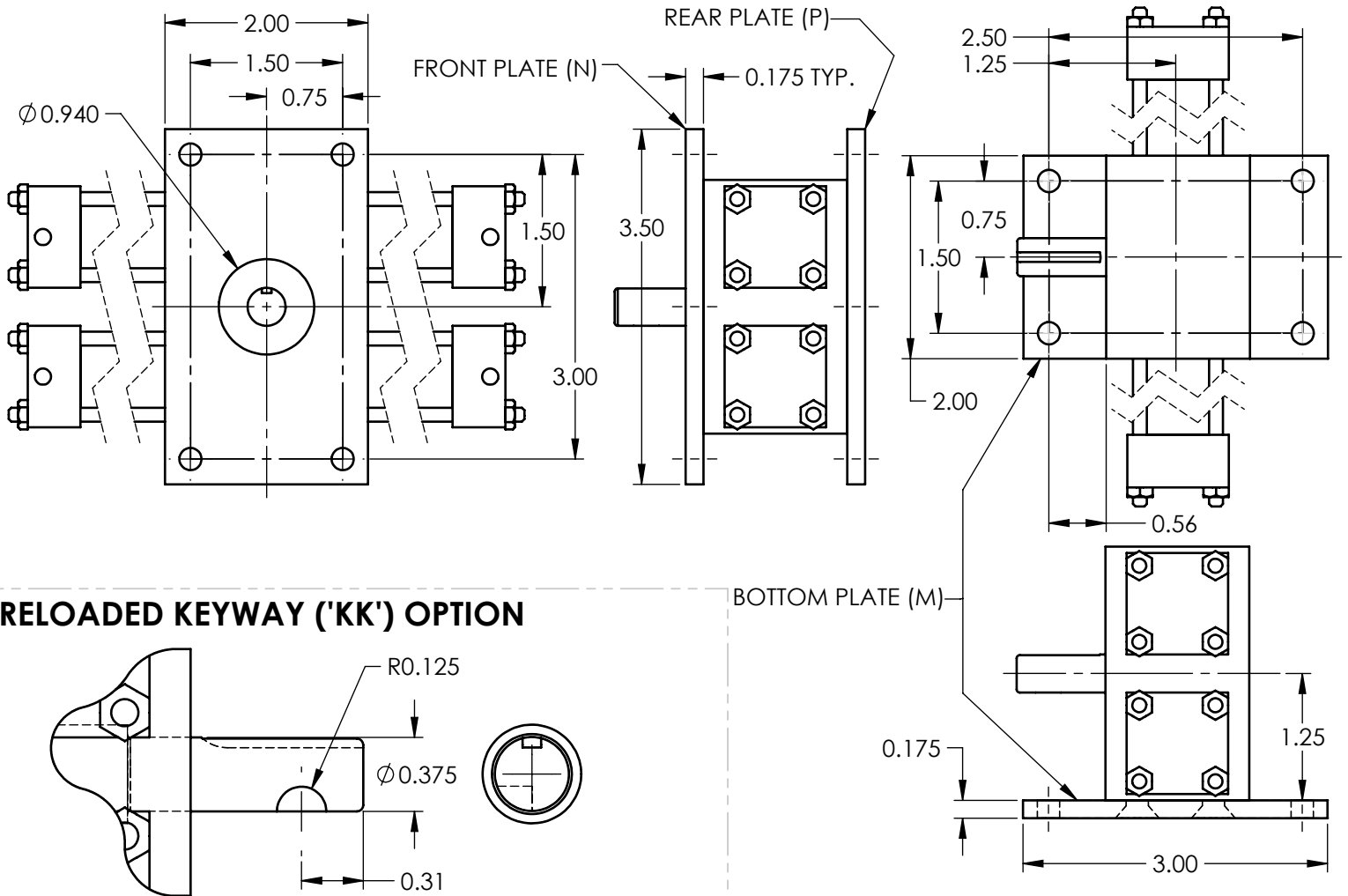


# A12 ACTUATOR OPTIONS

## HOLLOW SHAFT OPTION



## MOUNTING PLATE OPTIONS



## PRELOADED KEYWAY ('KK') OPTION

