

A2 ROTARY ACTUATOR

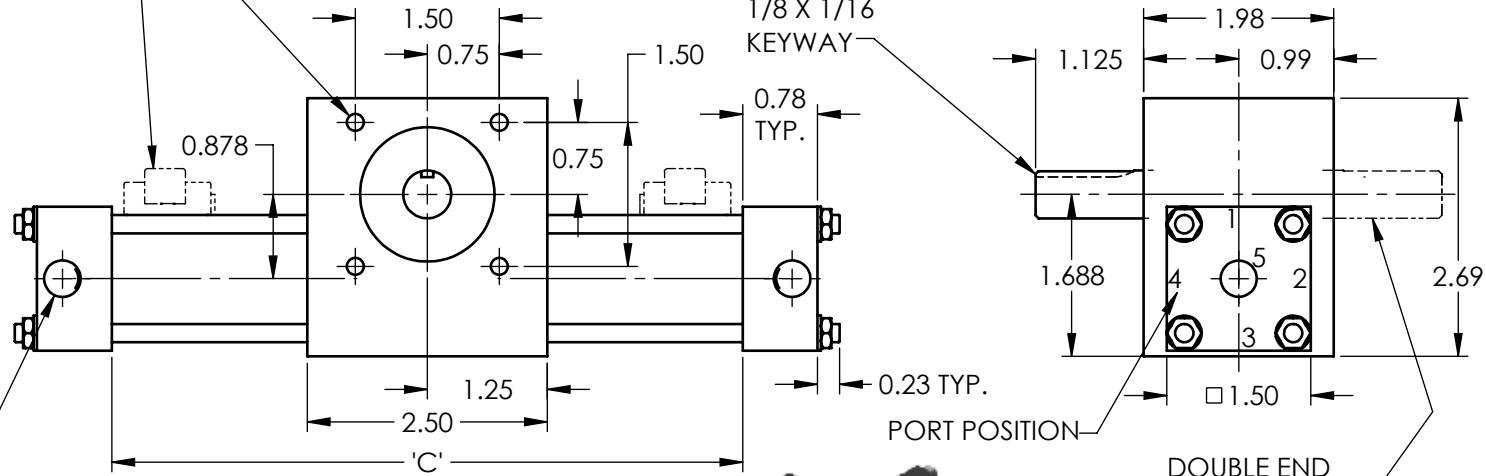
OPTIONAL
MAG SWITCHES

4X 10-32 UNF ∇ 0.38
TYP. FRONT AND REAR

ALL DIMENSIONS IN INCHES

1/8 X 1/16
KEYWAY

0.78
TYP.

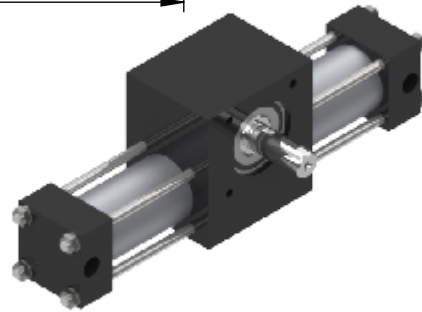


FRONT VIEW

END VIEW

1/8 NPT PORT
(SHOWN POS. 4)

DOUBLE END
SHAFT OPTION



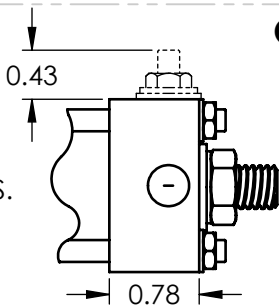
\varnothing 0.50
1.50
0.75
4X 10-32 UNF ∇ 0.50

BOTTOM VIEW

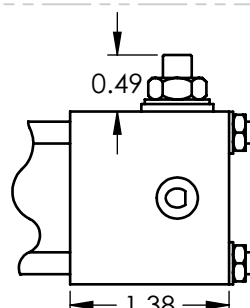
1.00 0.50

**OTHER END
CAPS**

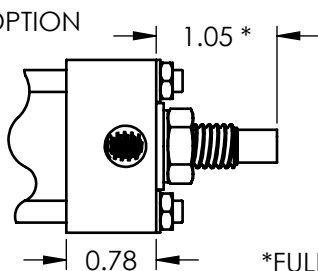
'A' OPTION
OR
'F' & 'A' OPTS.



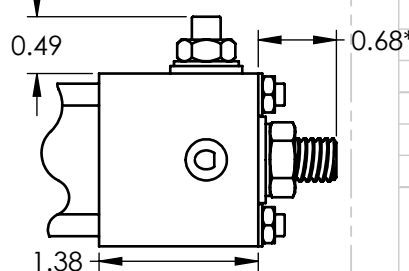
'C' OPTION



'Q' & 'A' OPTION



'C' & 'A' OPTION



*FULLY EXTENDED

'C' DIMENSION		
ROTATION -0/+3 (degrees)	STANDARD (inches)	'G', 'R' OR 'S' OPTION (inches)

30	3.30	6.05
45	3.62	6.22
60	3.95	6.38
90	4.60	6.38
100	4.82	6.38
120	5.26	6.38
180	6.57	7.57
190	6.79	7.79
270	8.53	9.53
360	10.50	11.50
370	10.71	11.71
540	14.42	15.42
550	14.64	15.64
720	18.35	19.35
730	18.57	19.57

OPTIONS: ADD TO 'C' DIM. PER SIDE

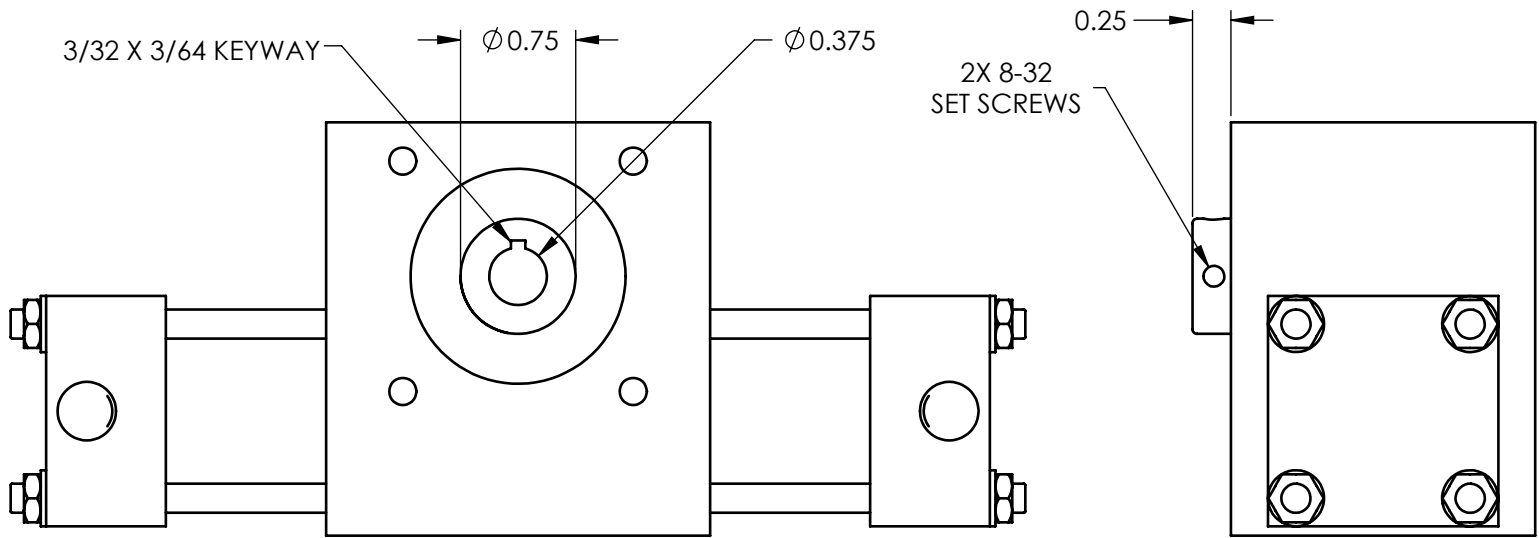
'Q' OPTION	'Q' & 'A' OPTION	'HP', 'A', OR 'K' OPTION
0.06	0.22	0.50

RATINGS

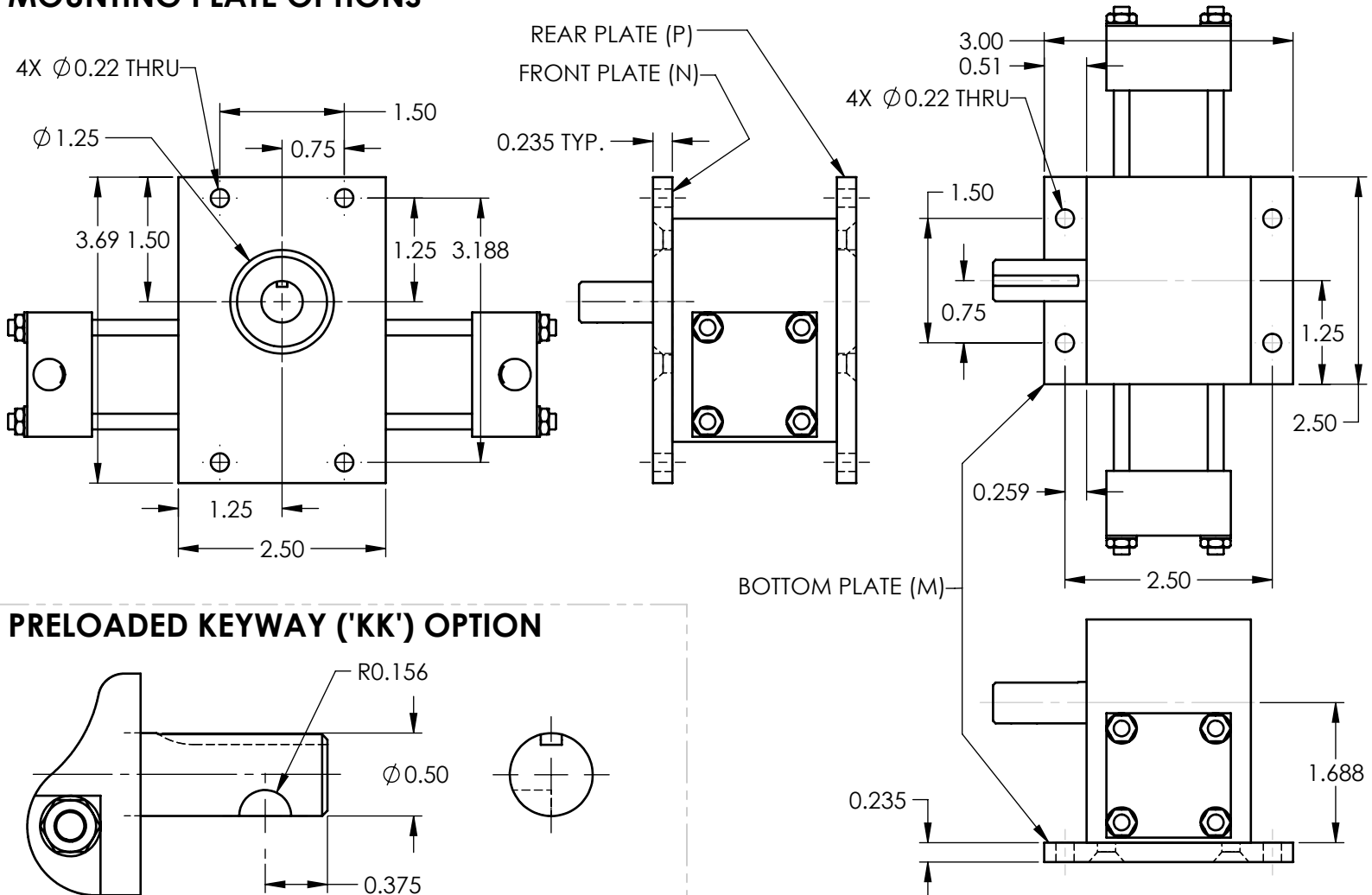
Torque Factor (in-lb/psi)	0.49
Bore Diameter (in)	1
Max. Working Pressure (psi)	250
Rotational Accuracy (degrees)	-0/+3
Backlash end of stroke (degrees)	1.0
Max. Bearing Axial Load (lb)	257
Max. Bearing Radial Load (lb)	1030
Shaft Bearing Spacing (in)	1.33
Displacement (in ³ /deg.)	0.0086
Weight: 180 deg. basic unit (lb)	2.3
Operating Temperature Range (°F):	Basic -20 to 250
	'G', 'R', 'S', or 'Q' OPT. 0 to 160
	'A' or 'K' OPTION 0 to 180

A2 ACTUATOR OPTIONS

HOLLOW SHAFT OPTION



MOUNTING PLATE OPTIONS



PRELOADED KEYWAY ('KK') OPTION

