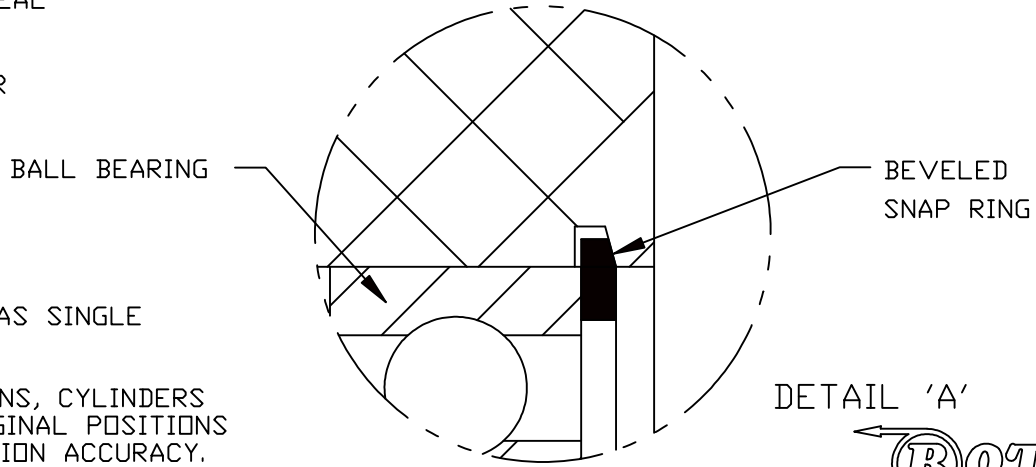
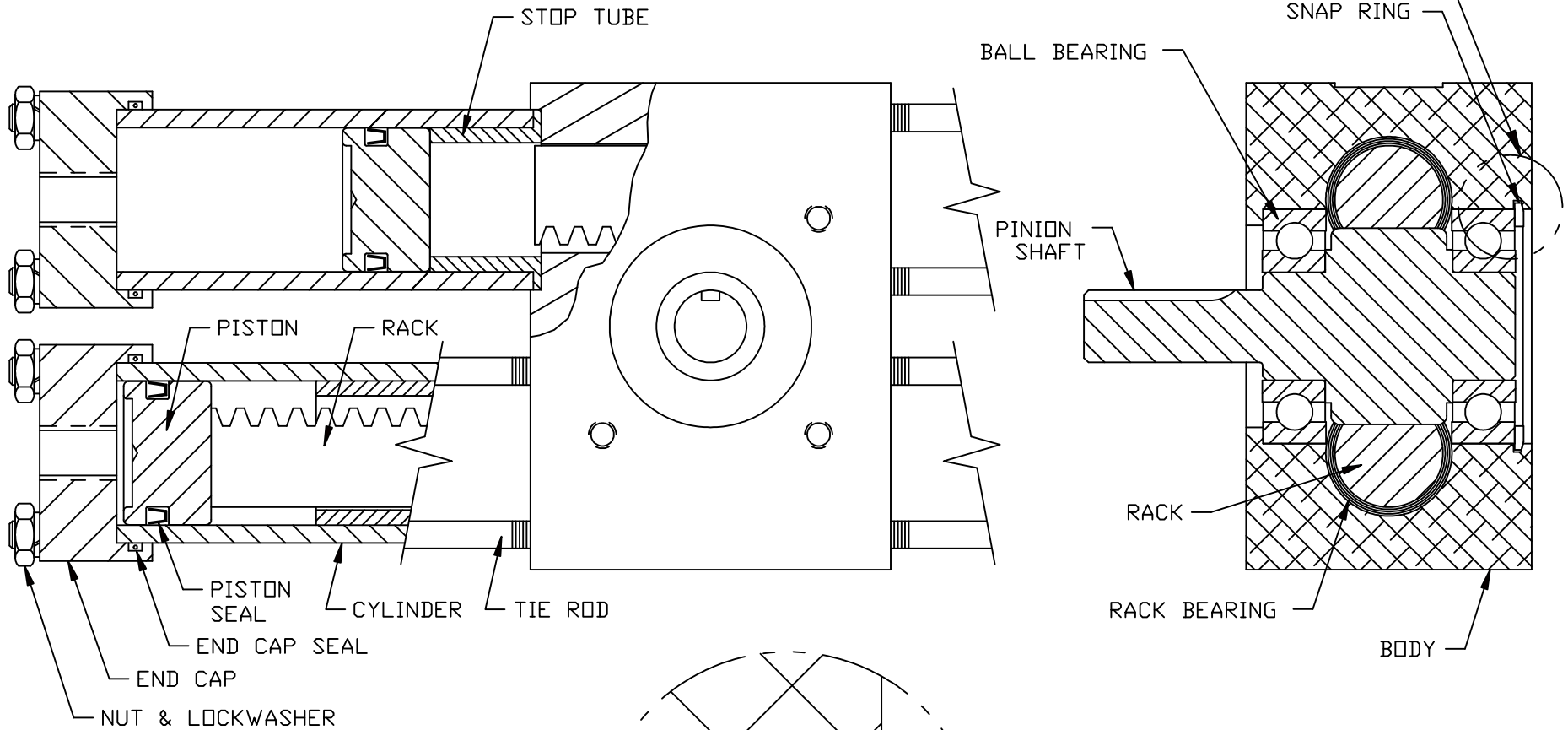


NOTE:
 ORDER PARTS BY PART NAME AND COMPLETE UNIT
 SPECIFICATION NUMBER OR SERIAL NUMBER.



END CAP OPTIONS SAME AS SINGLE
 AND DOUBLE RACK UNITS.

REINSTALL RACKS, PISTONS, CYLINDERS
 AND STOP TUBES IN ORIGINAL POSITIONS
 TO MAINTAIN STOP POSITION ACCURACY.

DETAIL 'A'

ROTOMATION
 11 SUNSHINE BLVD. ORMOND BEACH, FL. 32174

A22 3 POSITION ACTUATOR PARTS LOCATION

DWG. NO. A2-150