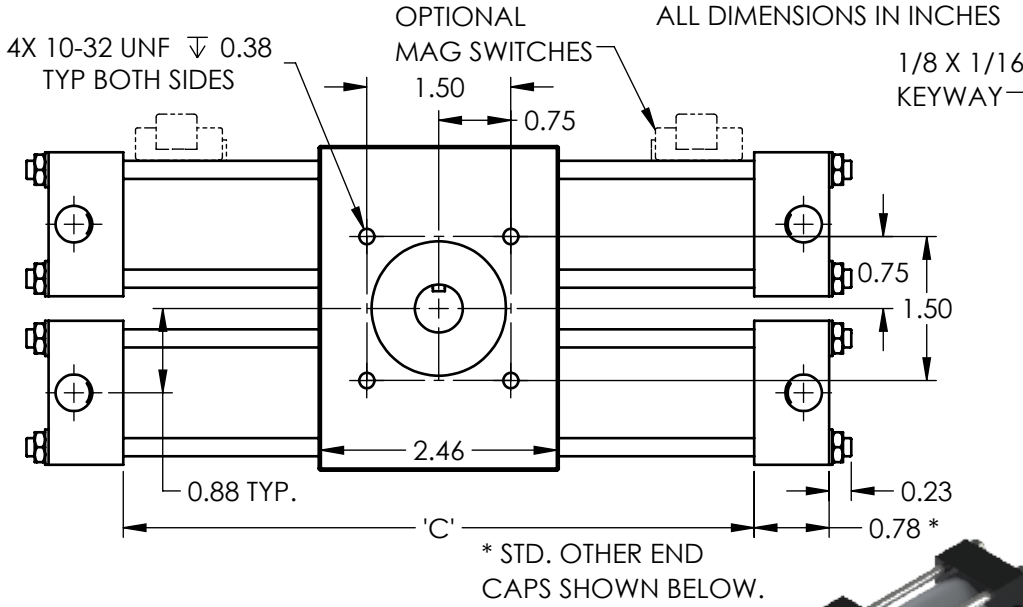
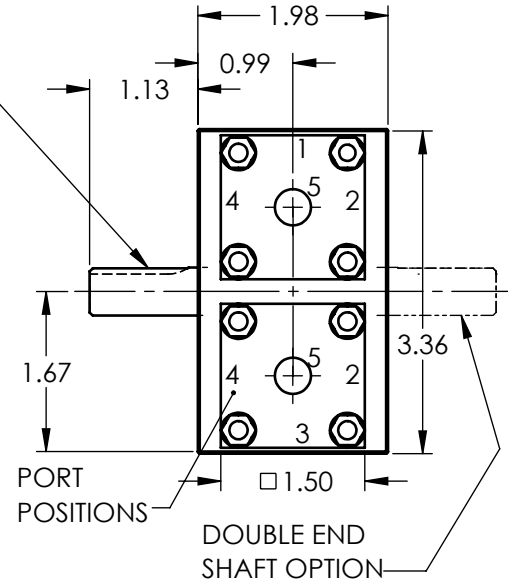


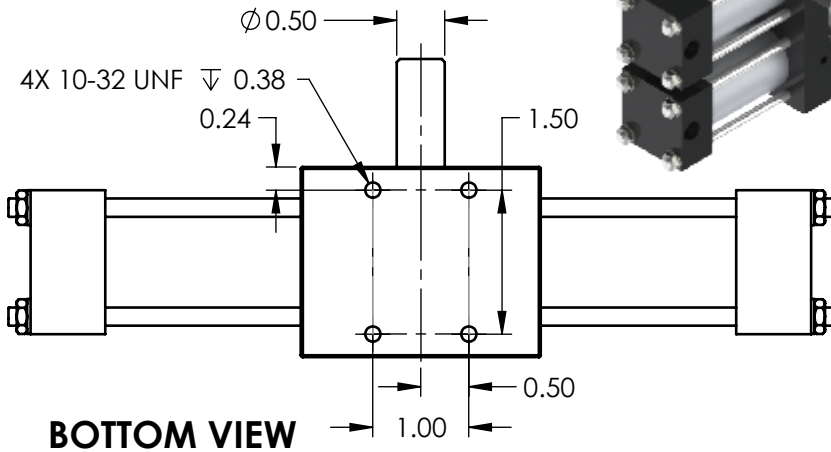
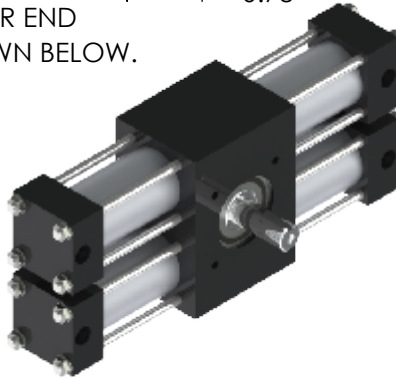
A22 ROTARY ACTUATOR



FRONT VIEW



END VIEW



BOTTOM VIEW

'C' DIMENSION		
ROTATION -0/+3 (degrees)	STANDARD (inches)	'G', 'R' OR 'S' OPTION (inches)
30	3.36	6.12
45	3.68	6.29
60	4.01	6.45
90	4.66	6.45
100	4.88	6.45
120	5.32	6.45
180	6.63	7.63
190	6.85	7.85
270	8.59	9.59
360	10.56	11.56
370	10.77	11.77
540	14.48	15.48
550	14.7	15.7
720	18.41	19.41
730	18.63	19.63

OPTIONS: ADD TO 'C' DIM. PER SIDE

'Q' OPTION	'Q' & 'A' OPTION	'HP', 'A', OR 'K' OPTION
0.06	0.22	0.50

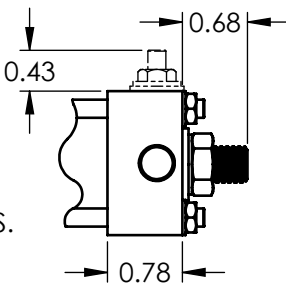
RATINGS

Torque Factor (in-lb/psi)	0.98
Bore Diameter (in)	1
Max. Working Pressure (psi)	250
Rotational Accuracy (degrees)	-0/+3
Backlash end of stroke (degrees)	0.0
Max. Bearing Axial Load (lb)	257
Max. Bearing Radial Load (lb)	1030
Shaft Bearing Spacing (in)	1.33
Displacement (in ³ /deg.)	0.0172
Weight: 180 deg. basic unit (lb)	3.6
Operating Temperature Range (°F):	Basic -20 to 250
	'G', 'R', 'S', or 'Q' OPT. 0 to 160
	'A' or 'K' OPTION 0 to 180

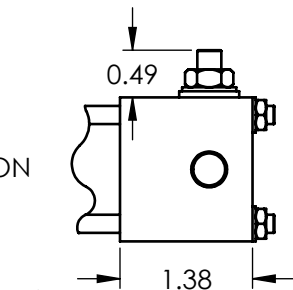
OTHER END CAPS

OPTION END CAPS ON TOP RACK

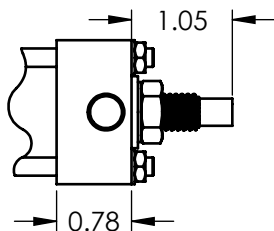
'A' OPTION OR 'F' & 'A' OPTS.



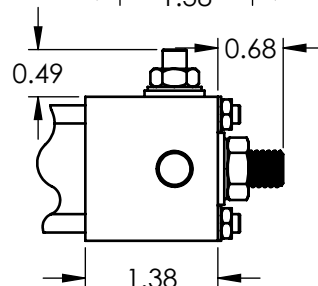
'C' OPTION



'Q' & 'A' OPTIONS

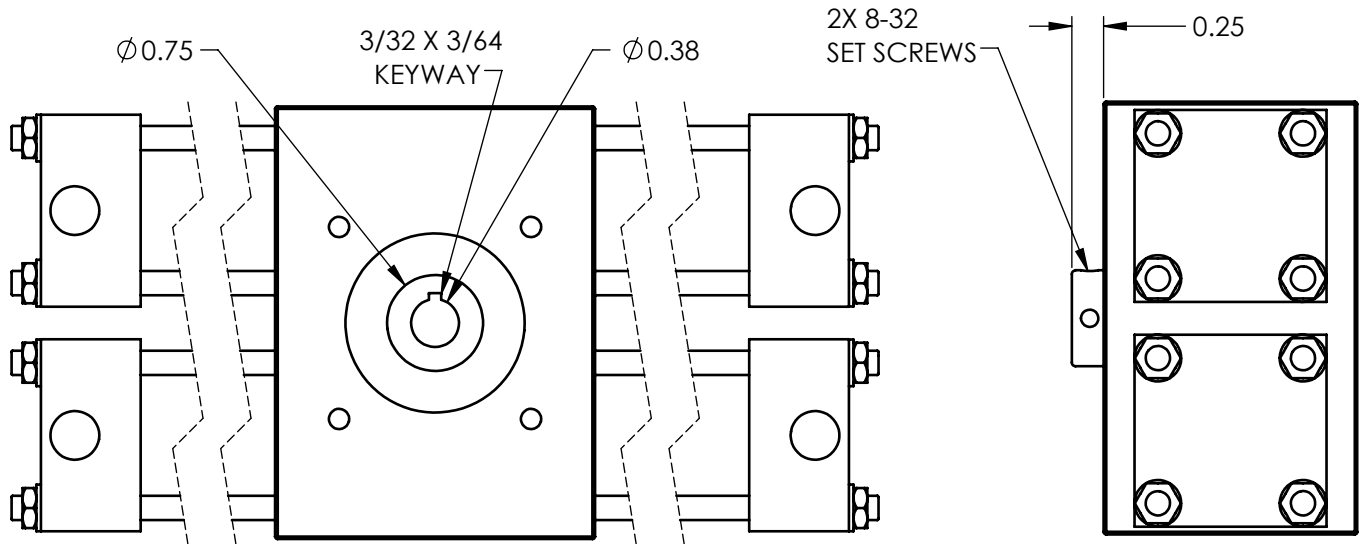


'C' & 'A' OPTIONS

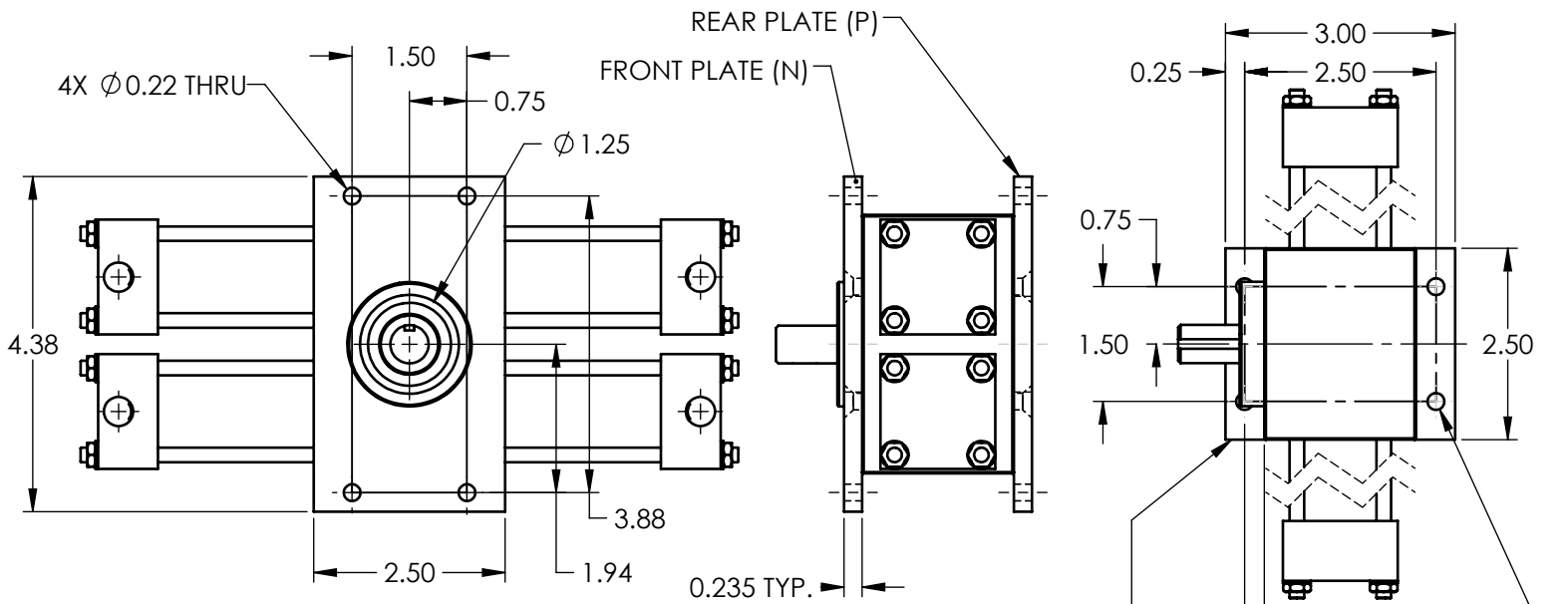


A22 ACTUATOR OPTIONS

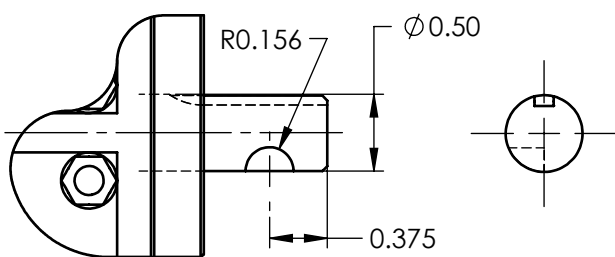
HOLLOW SHAFT OPTION



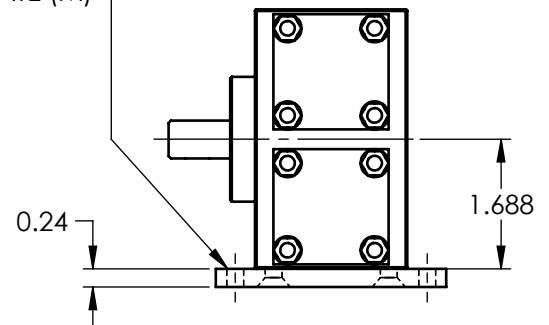
MOUNTING PLATE OPTIONS



PRELOADED KEYWAY ('KK') OPTION



BOTTOM PLATE (M)



12/06/22