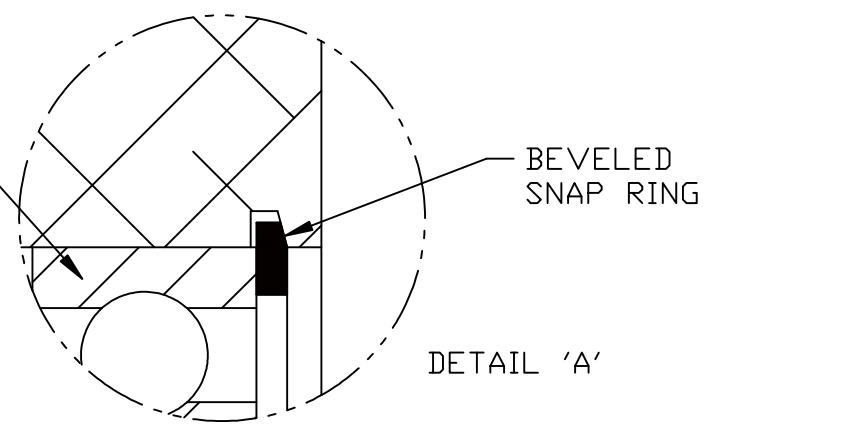
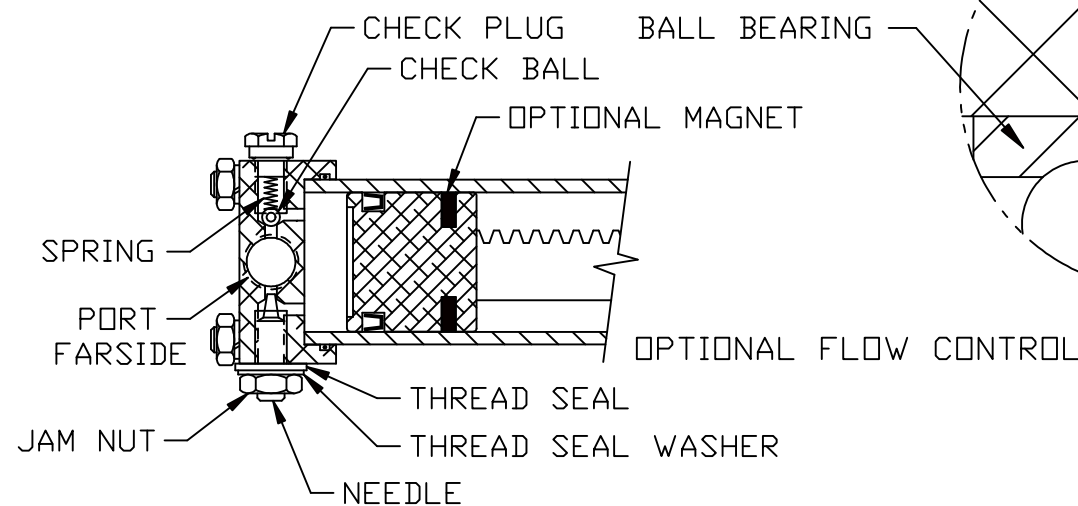
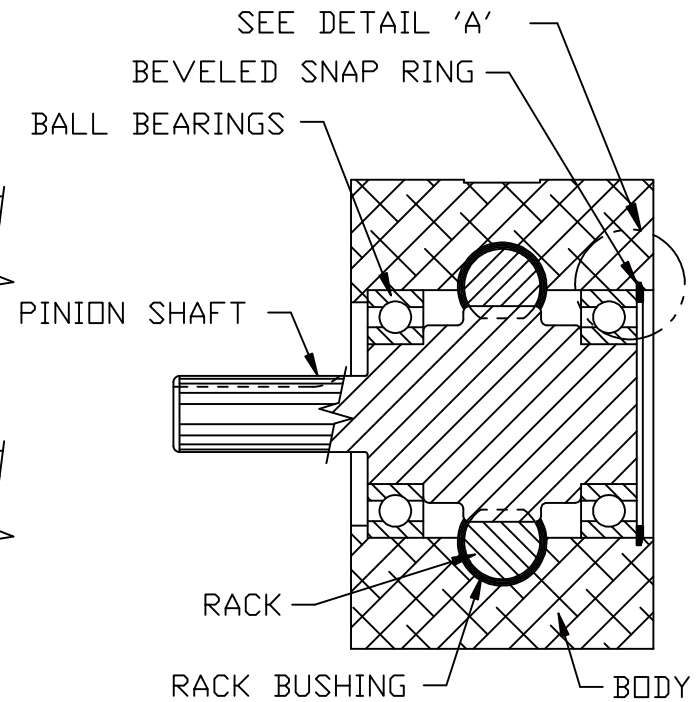
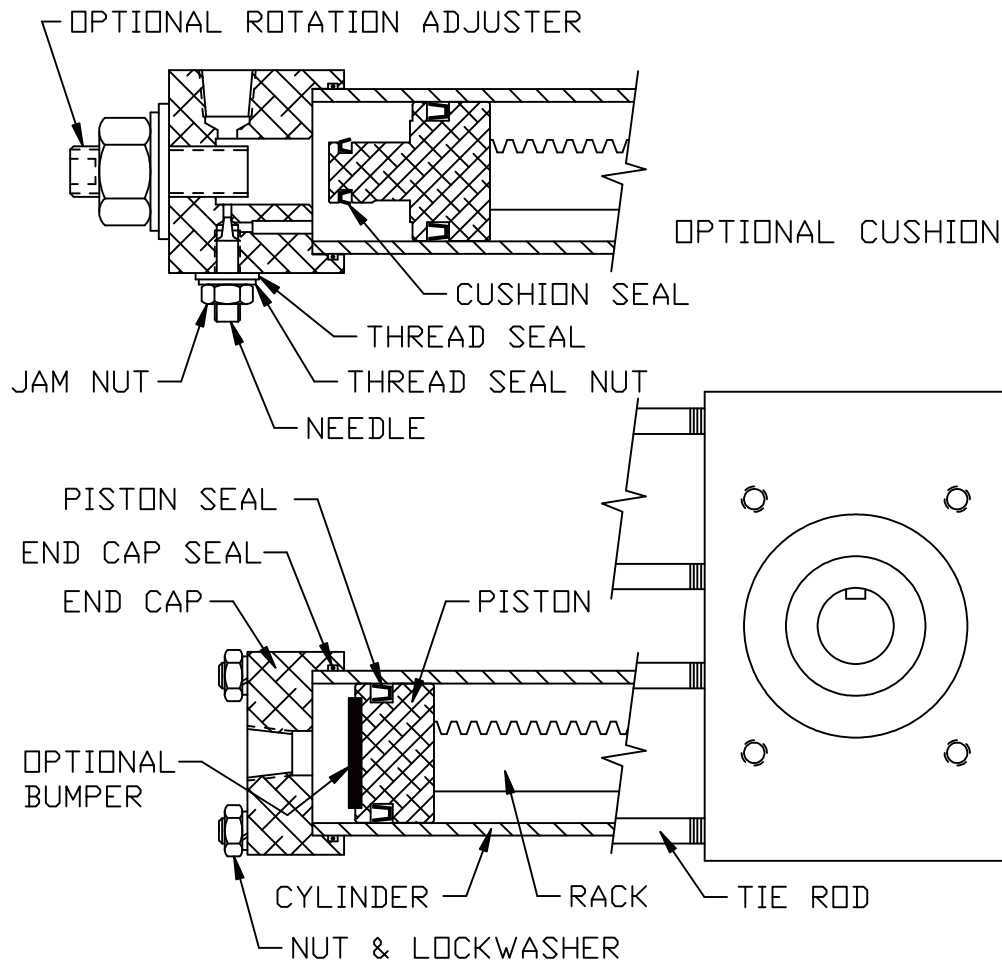


NOTE:  
ORDER PARTS BY PART NAME AND COMPLETE UNIT  
SPECIFICATION NUMBER OR SERIAL NUMBER.



**ROTOMATION**  
11 SUNSHINE BLVD. ORMOND BEACH, FL. 32174

A32 ACTUATOR PARTS LOCATION  
DWG. NO. A3-072