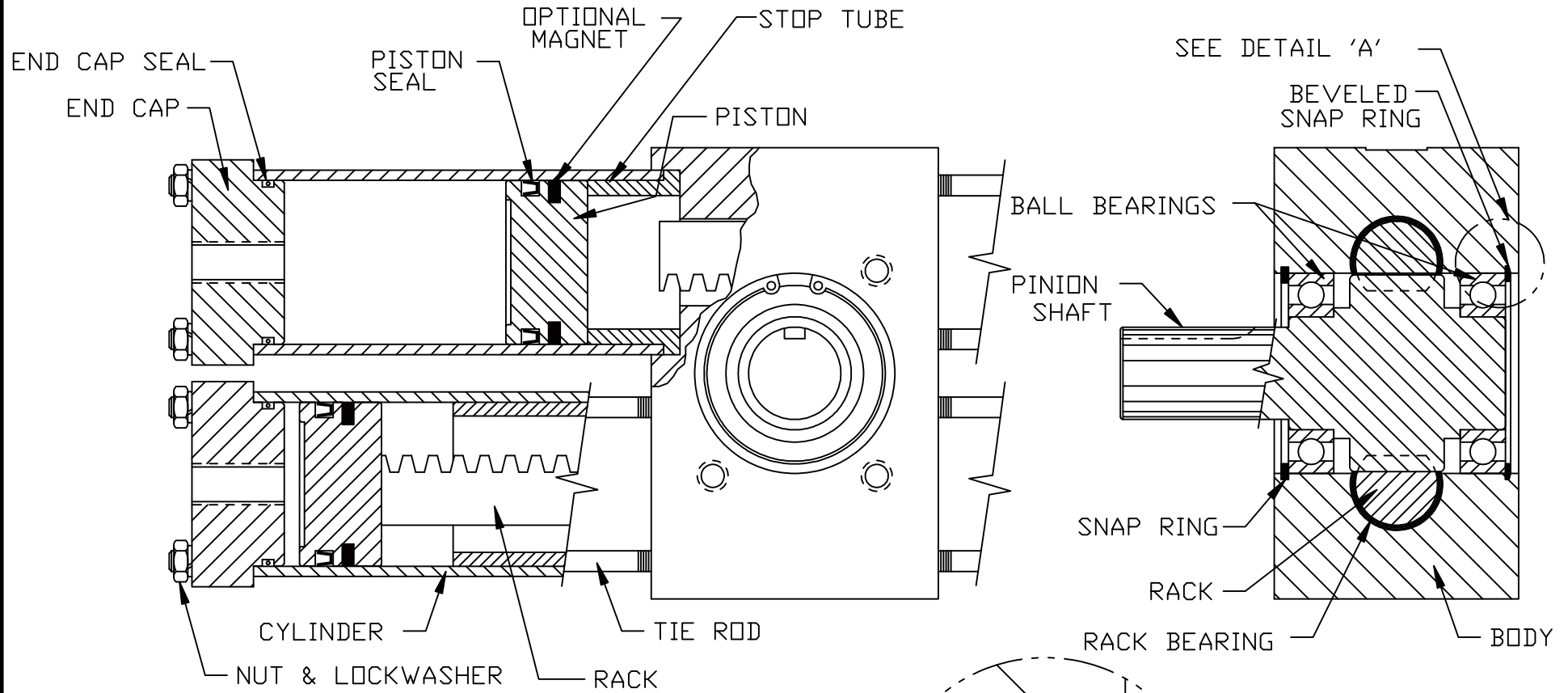
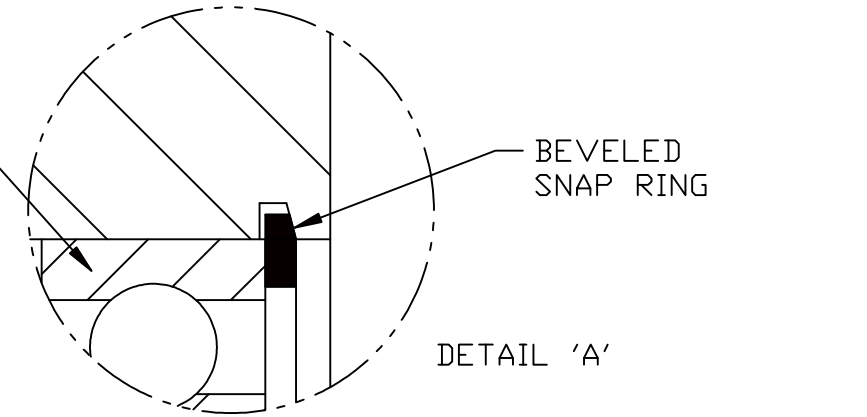


NOTE:
ORDER PARTS BY PART NAME AND COMPLETE UNIT
SPECIFICATION NUMBER OR SERIAL NUMBER.



SEE DETAIL 'A'



DETAIL 'A'

END CAP OPTIONS SAME AS SINGLE
AND DOUBLE RACK UNITS.

REINSTALL RACKS, PISTONS, CYLINDERS
AND STOP TUBES IN ORIGINAL POSITIONS
TO MAINTAIN STOP POSITION ACCURACY.



A42 3 POSITION ACTUATOR PARTS LOCATION

DWG. NO. A4-120