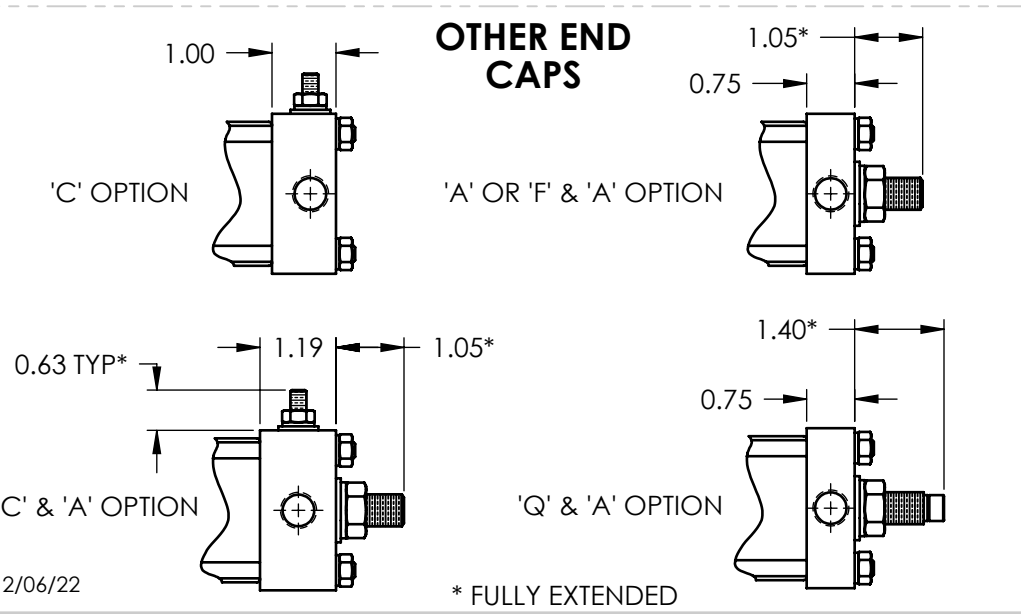
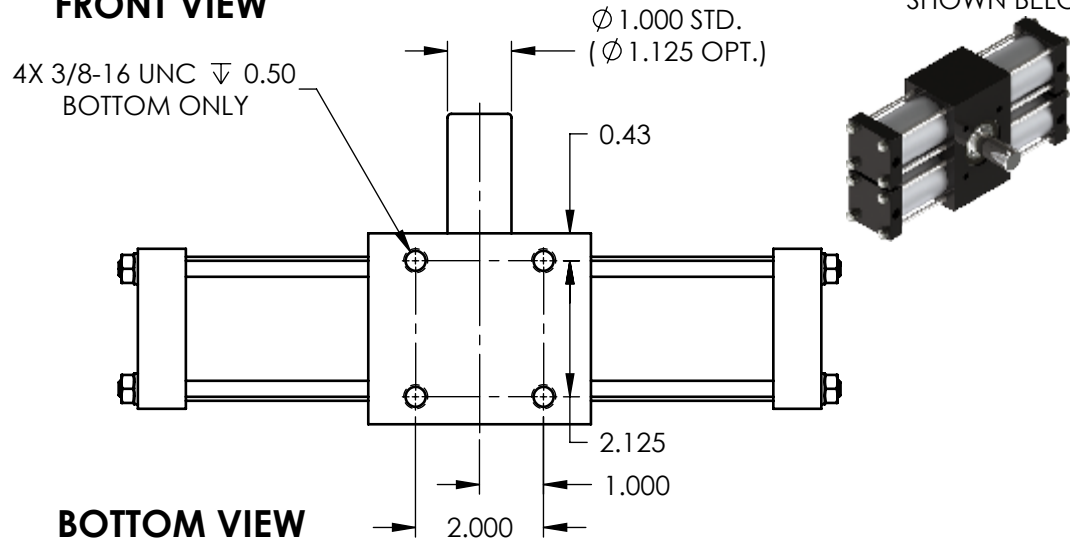
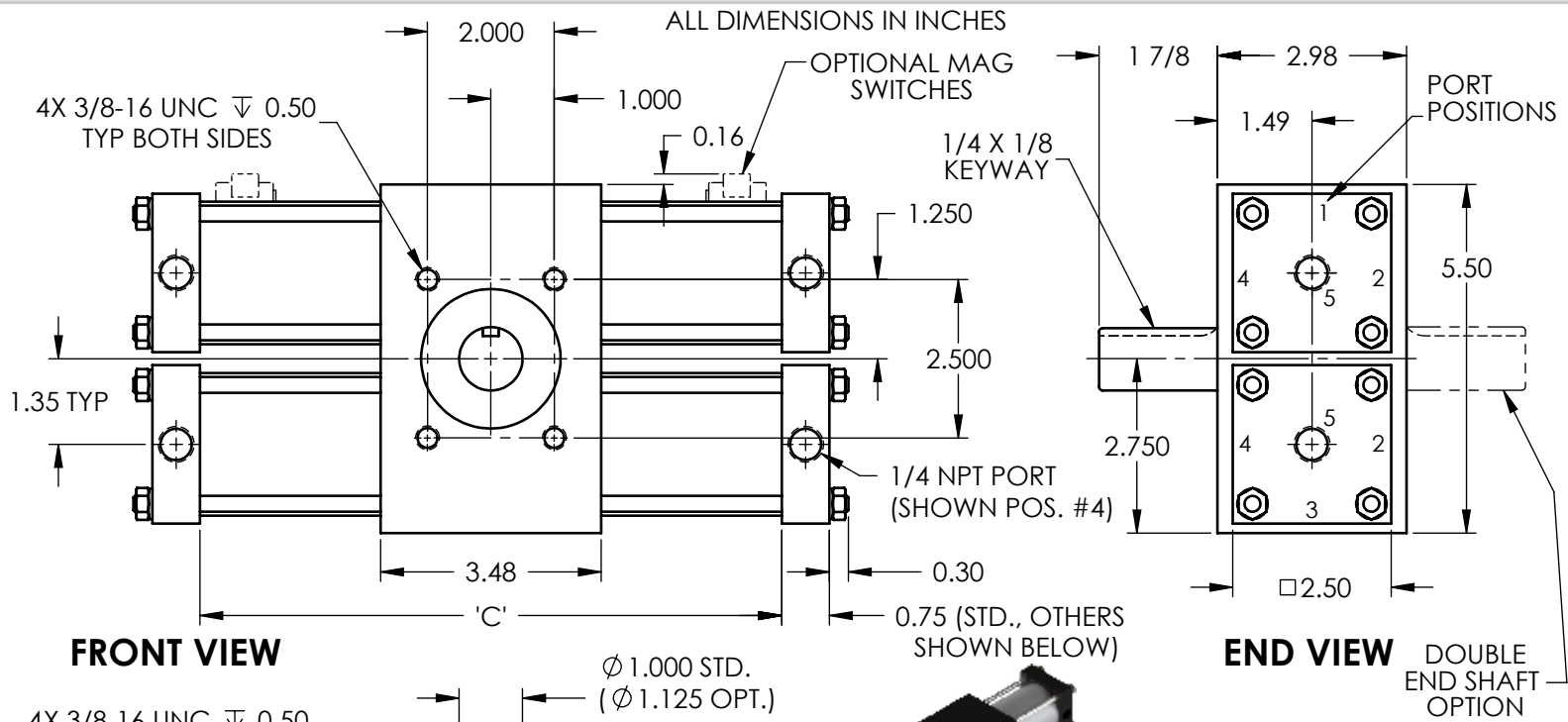


A42 ROTARY ACTUATOR



'C' DIMENSION		
ROTATION -0/+2 (degrees)	STANDARD (inches)	'G', 'R' OR 'S' OPTION (inches)
30	6.87	7.36
45	7.45	7.65
60	8.02	8.02
90	9.18	9.18
100	9.56	9.56
120	10.33	10.33
180	12.63	12.63
190	13.01	13.01
270	16.09	16.09
360	19.54	19.54
370	19.93	19.93
540	26.45	26.45
550	26.84	26.84
720	33.37	33.37
730	33.75	33.75

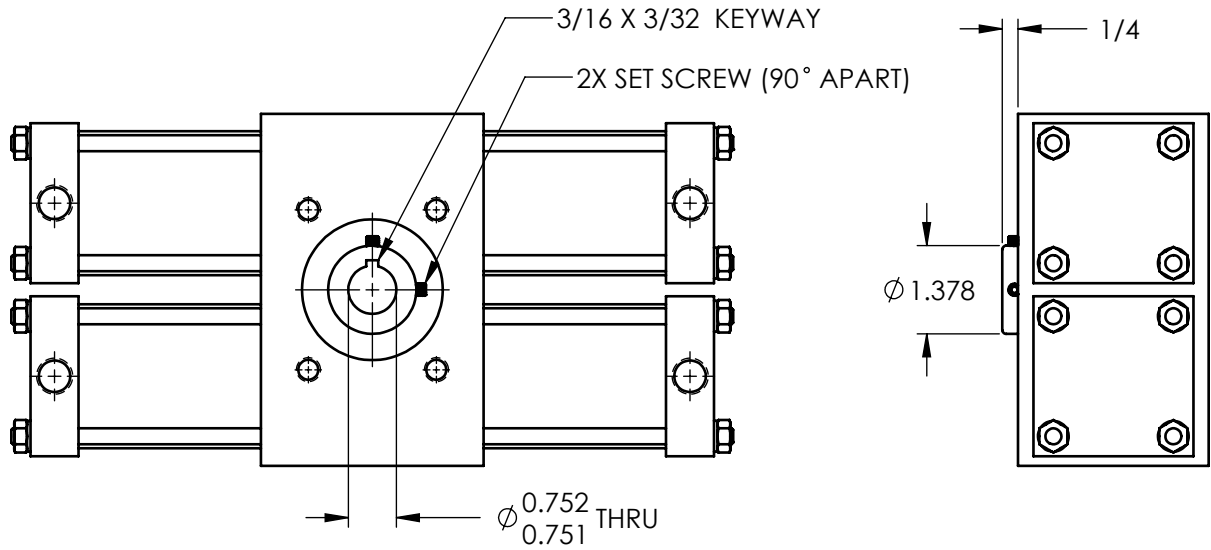
OPTIONS: ADD TO 'C' DIM. PER SIDE		
'Q' OPTION	'Q' & 'A' OPTION	'HP', 'A', OR 'K' OPTION
0.06	0.29	1.00

RATINGS	
Torque Factor (in-lb/psi)	6.92
Bore Diameter (in)	2
Max. Working Pressure (psi)	200
Backlash end of stroke (degrees)	0
Max. Bearing Axial Load (lb)	500
Max. Bearing Radial Load (lb)	2020
Shaft Bearing Spacing (in)	2.09
Displacement (in ³ /deg.)	0.121
Weight: 180 deg. basic unit (lb)	14.3
Operating Temp. Range (°F):	Basic -20 to 250 'G', 'R', 'S', or 'Q' OPTION 0 to 160

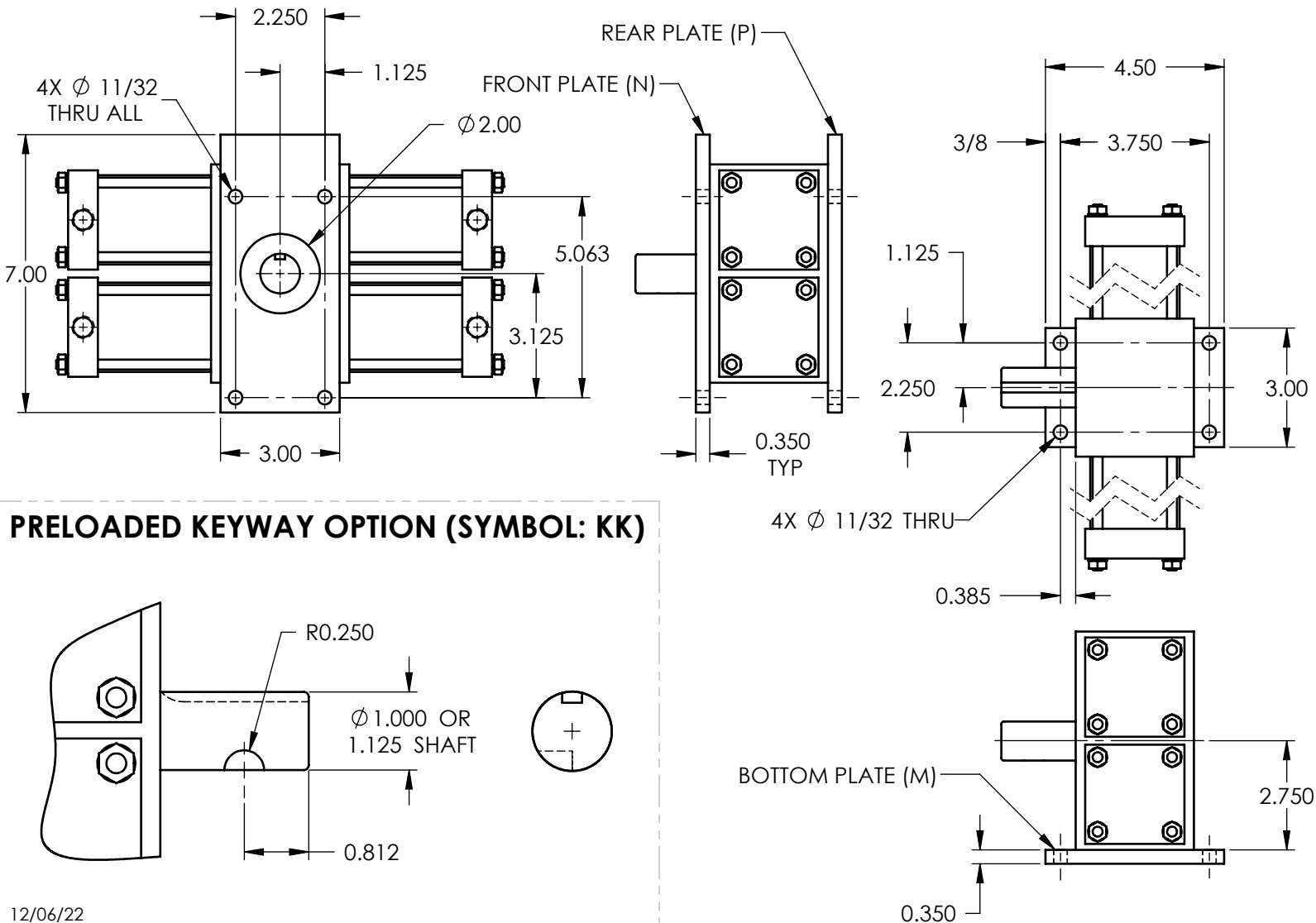
12/06/22

A42 ACTUATOR OPTIONS

HOLLOW SHAFT OPTION (SYMBOL: HS75)



MOUNTING PLATE OPTIONS (SYMBOL: M, N, OR P)



PRELOADED KEYWAY OPTION (SYMBOL: KK)

