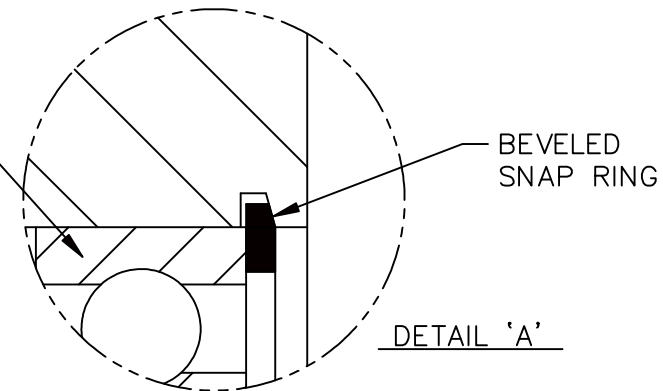
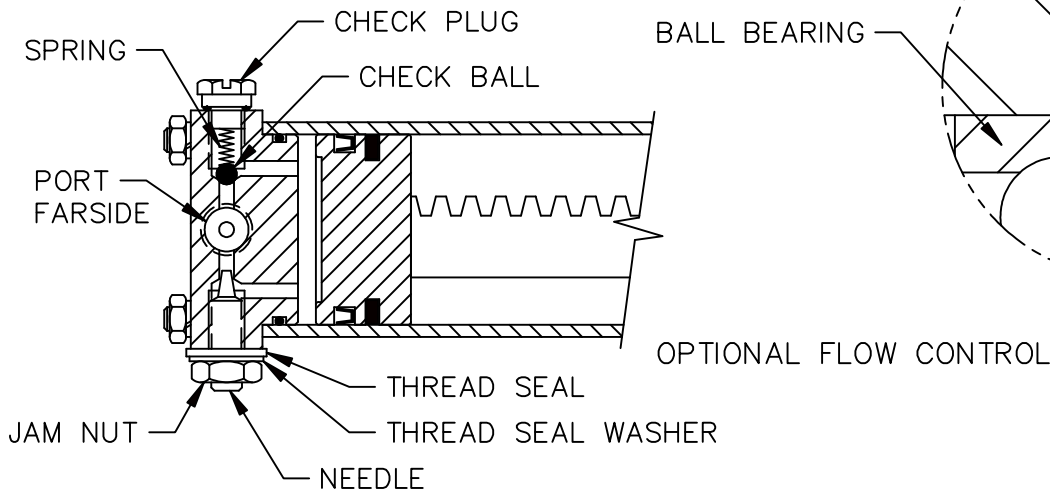
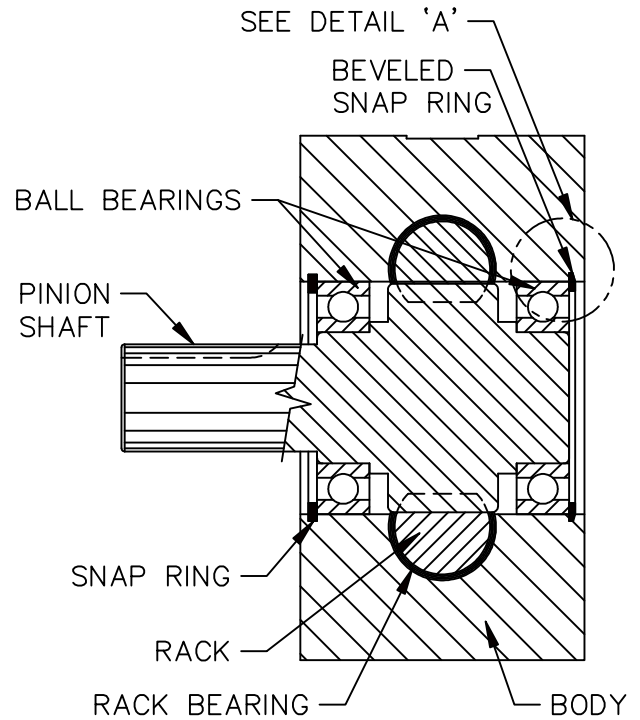


NOTE:
ORDER PARTS BY PART NAME AND COMPLETE UNIT SPECIFICATION NUMBER OR SERIAL NUMBER.



ROTOMATION

11 SUNSHINE BLVD. ORMOND BEACH, FL. 32174

A42 ACTUATOR PARTS LOCATION

DWG. NO. A4-073