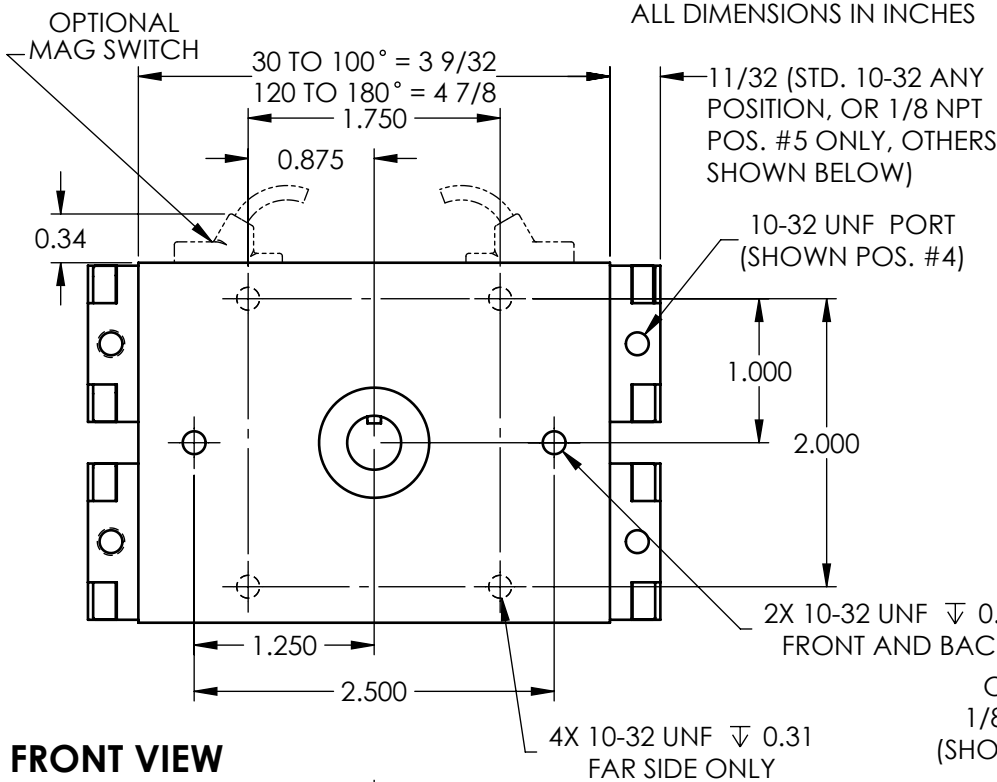


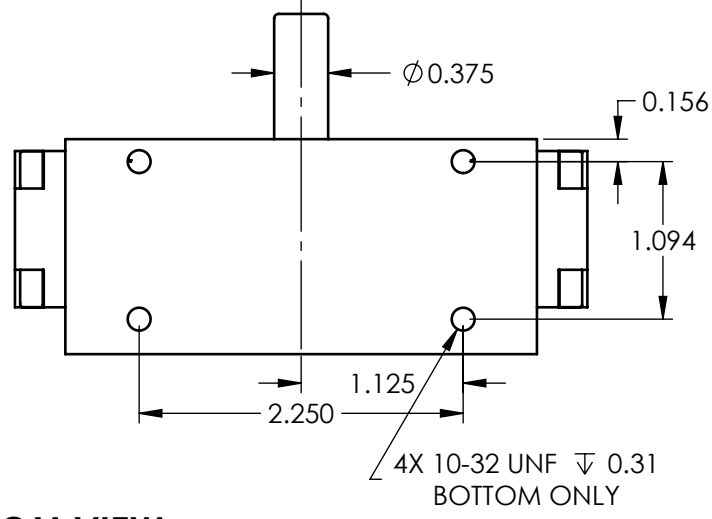
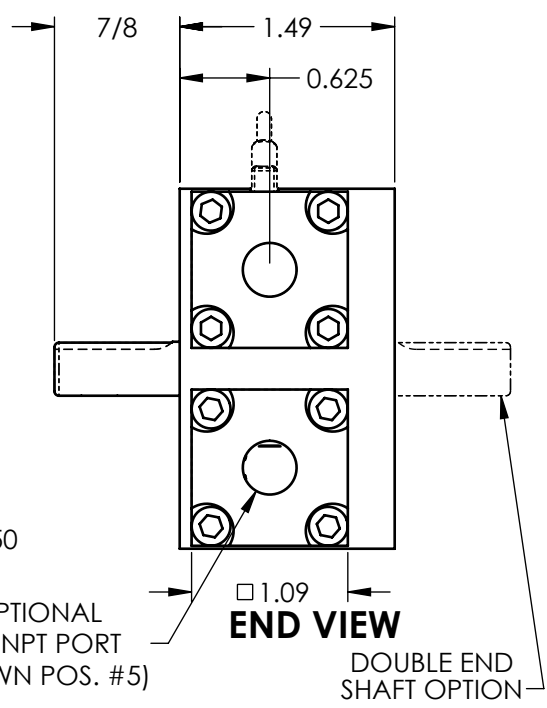


ROTOMATION, INC.  
 11 SUNSHINE BLVD, ORMOND BEACH, FL 32174  
 386-676-6377 | WWW.ROTOMATION.COM

# A752 ROTARY ACTUATOR



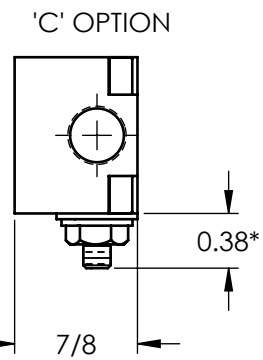
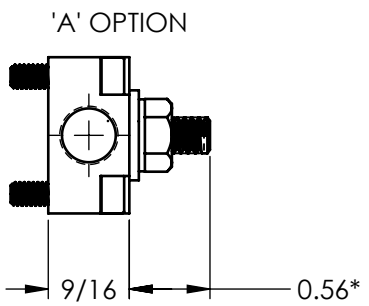
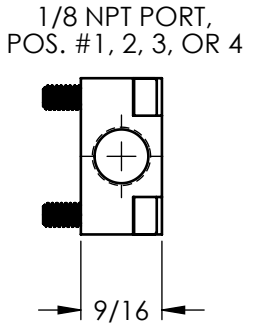
**FRONT VIEW**



**BOTTOM VIEW**

RATINGS	
Rotation Tolerance	-0.0/+2.0 Deg
Torque Factor (in-lb/psi)	0.440
Bore Diameter (in)	3/4
Max. Working Pressure (psi)	250
Backlash end of stroke (degrees)	0.0
Max. Bearing Axial Load (lb)	76
Max. Bearing Radial Load (lb)	305
Shaft Bearing Spacing (in)	0.96
Displacement (in <sup>3</sup> /deg.)	0.0078
Weight: 180 deg. basic unit (lb)	1.9
Operating Temp. Range (°F):	Basic -20 to 180
	'R', 'S', 'Q', or 'HS37' OPTION 0 to 160

**OTHER END CAPS**

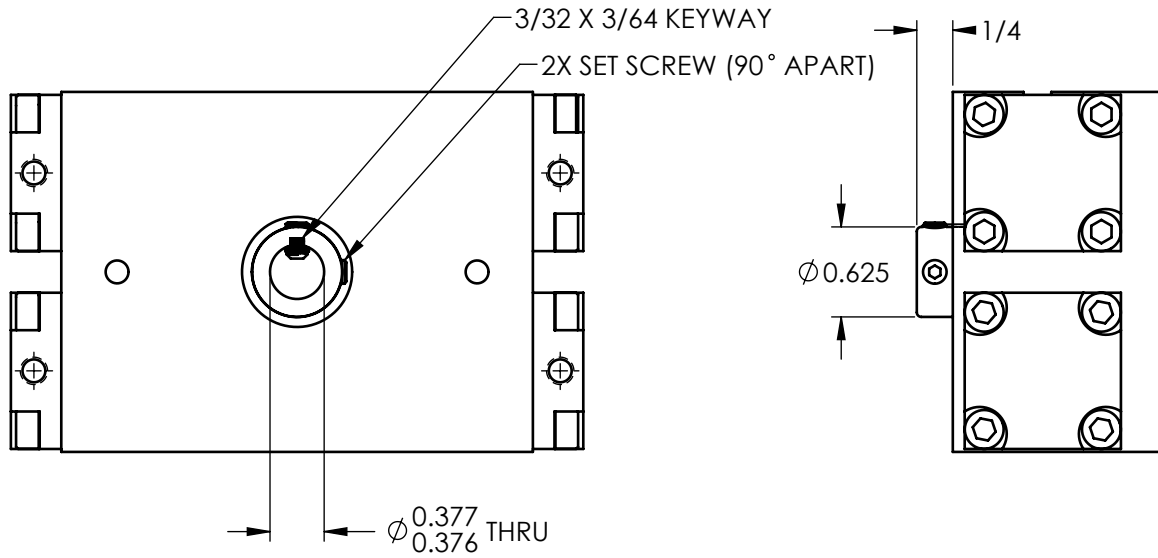


\*FULLY EXTENDED





## HOLLOW SHAFT OPTION (SYMBOL: HS75)



## PRELOADED KEYWAY OPTION (SYMBOL: KK)

