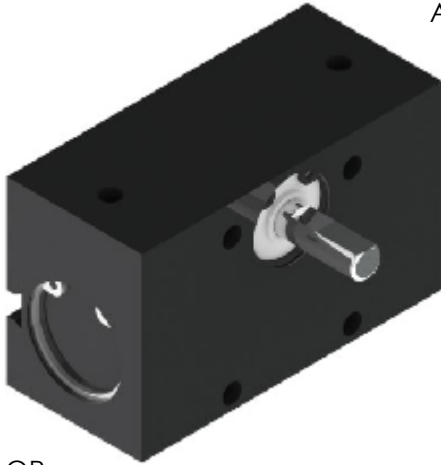
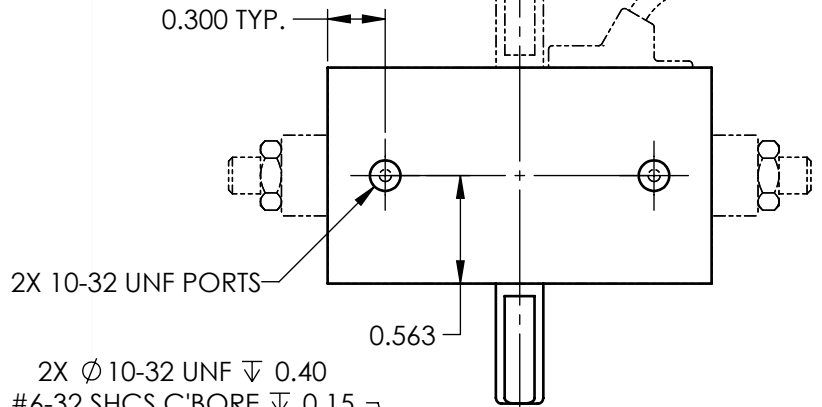


AL75 ROTARY ACTUATOR

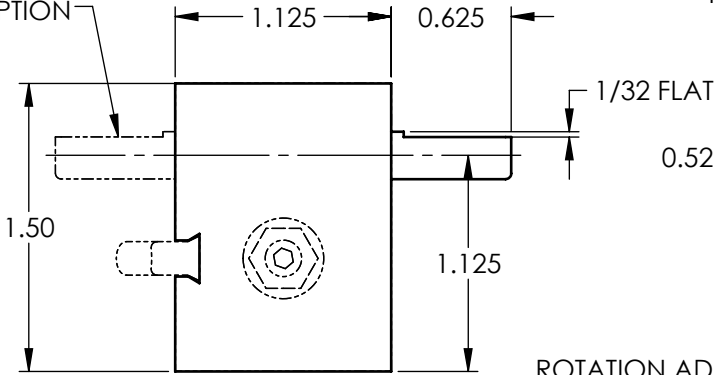
ALL DIMENSIONS IN INCHES



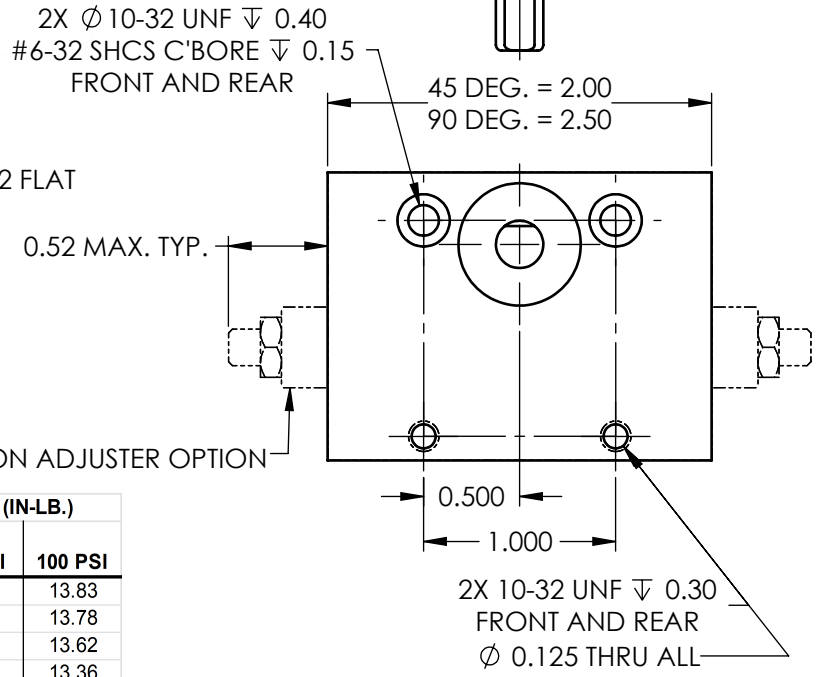
MAGNETIC SWITCH OPTION



DOUBLE ENDED OR REAR PROJECTING SHAFT OPTION



ROTATION ADJUSTER OPTION

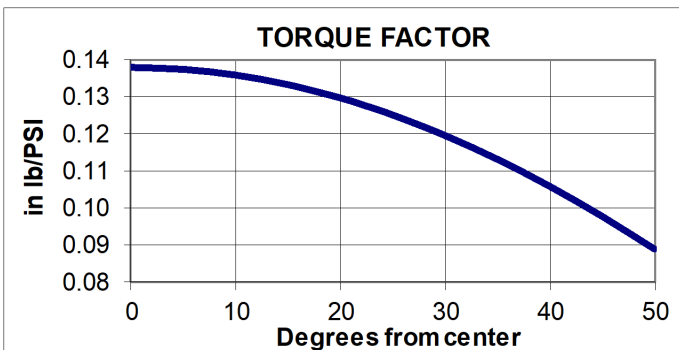
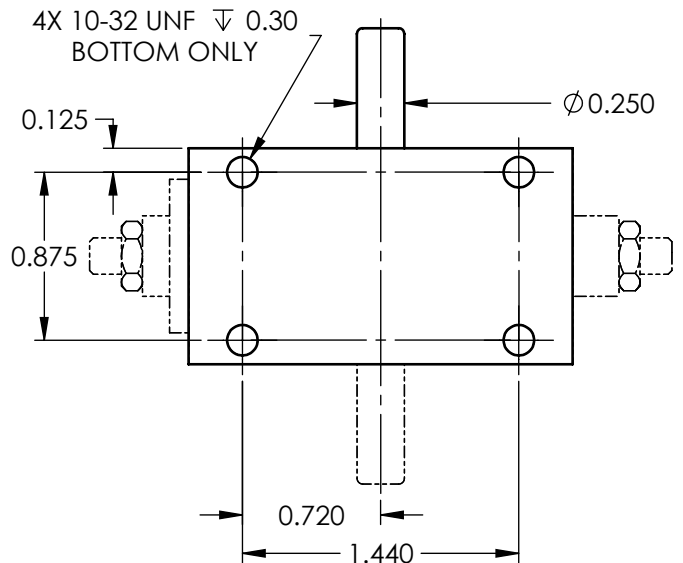


RATINGS

Torque Factor (in-lb/psi)	(curve)
Bore Diameter (in)	3/4
Max. Working Pressure (psi)	150
Backlash end of stroke (degrees)	1.0
Max. Bearing Axial Load (lb)	19
Max. Bearing Radial Load (lb)	77
Shaft Bearing Spacing (in)	0.79
Displacement (in ² /deg.)	0.0012
Weight: 90 deg. basic unit (lb)	0.3
Operating Temperature Range (°F):	0 to 130

CALCULATED TORQUE (IN-LB.)

DEG FROM CENTER	60 PSI	80 PSI	100 PSI
0	8.30	11.06	13.83
5	8.27	11.02	13.78
10	8.17	10.89	13.62
15	8.01	10.69	13.36
20	7.80	10.40	12.99
22.5	7.67	10.22	12.78
25	7.52	10.03	12.53
30	7.19	9.58	11.98
35	6.80	9.06	11.33
40	6.36	8.47	10.59
45	5.87	7.82	9.78
50	5.33	7.11	8.89



12/06/22