

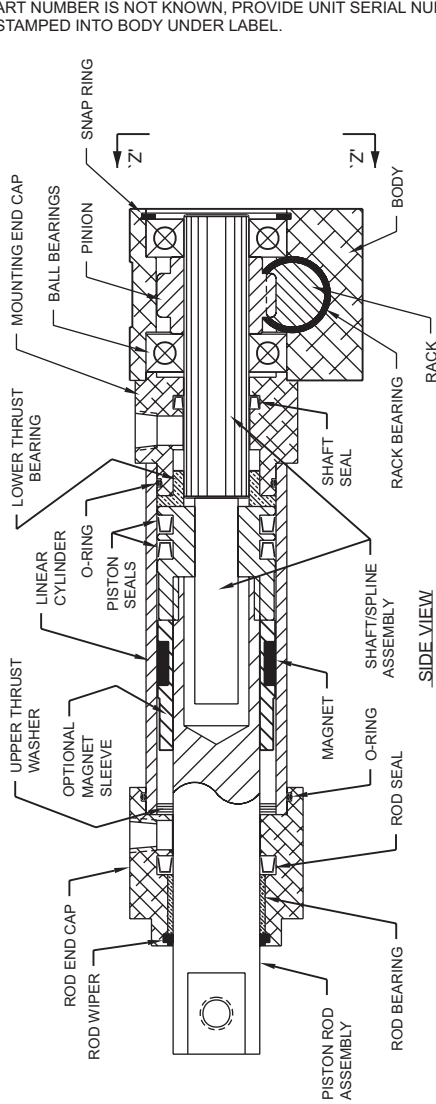
SEAL REPAIR KITS AND SEAL OPTIONS

PART NUMBERS FOR SEAL REPAIR KITS

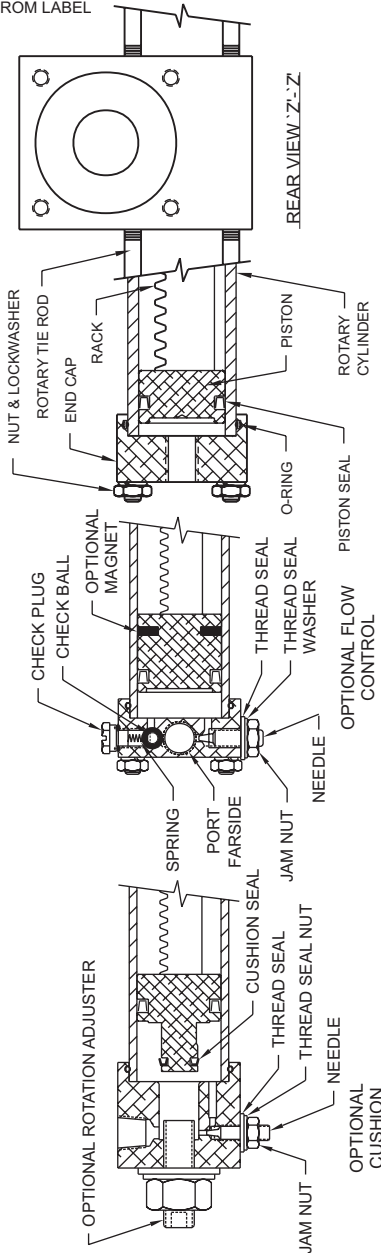


EXAMPLES:
 SEAL KIT FOR PA2-90-A4-3C2-1A-3RL-WA4 = SRK-PA2-CA
 SEAL KIT FOR PA2-180-B2-2F1-WA1 = SRK-PA2-F
 SEAL KIT FOR SPECIAL, SUCH AS PA2-B004 = SRK-PA2-B004
 IF PART NUMBER IS NOT KNOWN, PROVIDE UNIT SERIAL NUMBER FROM LABEL
 OR STAMPED INTO BODY UNDER LABEL.

PA2 & PA3 ACTUATOR PARTS LOCATION

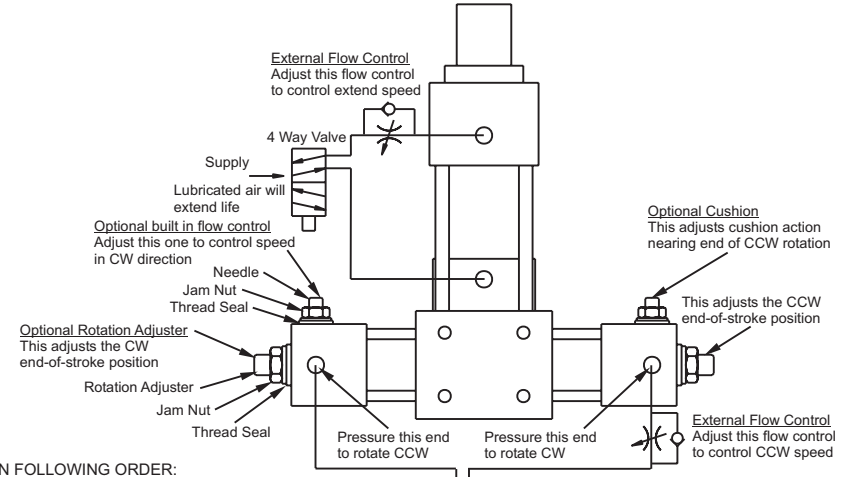


NOTE: ORDER PARTS BY PART NAME AND COMPLETE PART NUMBER OR SERIAL NUMBER.
 TIE RODS NOT SHOWN



11 Sunshine Blvd. Ormond Beach, FL 32174 Phone: 386/676-6377 Fax: 386/676-6379
 Email: sales@rotomation.com Website: www.rotomation.com

PA2 & PA3 PICK & PLACE ACTUATOR INSTALLATION AND SETUP

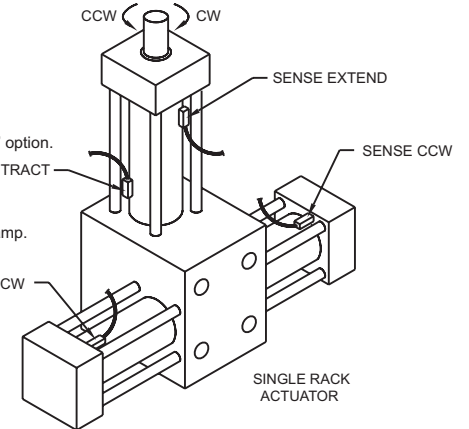


ADJUST IN FOLLOWING ORDER:

Skip options which your actuator does not have.

- To adjust rotation "A" option.
 - Apply pressure to rotate desired direction.
 - Loosen jam nut using the correct size wrench.
 - Adjust position using hex key wrench in rotation adjuster.
 - Tighten jam nut while holding rotation adjuster steady.
- ROTARY SECTION: Adjust magnetic switch, "G", "R" or "S" option.
 - DISABLE AUTOMATIC CONTROL. KEEP CLEAR OF SHAFT AND SHAFT MOUNTED PARTS!
 - Apply voltage to switch only, place switch at end cap, cable toward body.
- 2a) For signal at end of rotation.
 - Drive unit to end of rotation.
 - Move switch toward body until LED glows, clamp.
 - Set flow controls for low speed.
 - Cycle to check operating point, adjust as required.
- 2b) For signal before end of rotation.
 - Apply low pressure (5 psi for standard seals) to cylinder being set.
 - Position shaft to switching point.
 - Move switch toward body until LED glows, clamp.
 - Set flow controls for low speed.
 - Cycle to check operating point, adjust as required.
- 3) LINEAR SECTION: Adjust magnetic switch, "G", "R" or "S" option.
 - Adjust linear speed with external flow controls or reduce line pressure.
- 3a) For signal at end of stroke.
 - Remove air pressure & place rod at end of stroke.
 - Adjust switch inward from end cap until LED glows, clamp.
- 3b) For intermediate point of signal.
 - Follow above procedure with load positioned at desired operating point.
 - Cycle to check operating point, adjust as required.

ACTUATOR SWITCH PLACEMENT



- To adjust speed "F" option.
 Flow controls may be built in ("F" option) or external (not supplied by Rotomation, Inc.)
 To adjust built in controls:
 - Loosen jam nut.
 - Tighten needle to reduce speed, loosen to increase speed. Make small adjustments.
 - Tighten jam nut while holding needle steady.
- Adjust Cushion "C" option.
 - Loosen jam nut.
 - Tighten needle to increase stiffness of cushion, loosen to decrease. If cushion causes bounce, loosen needle.
 - Tighten jam nut while holding needle steady.

SWITCH LEADS

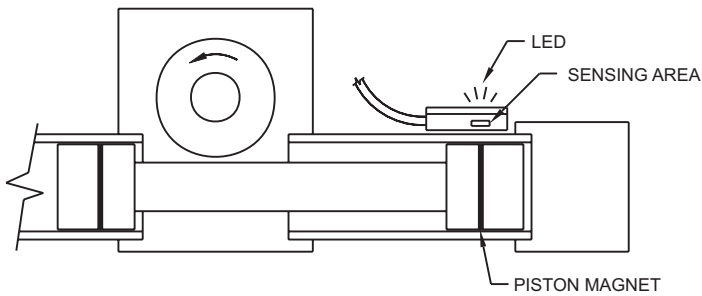
Standard Lead	OPTION GL, RL, SL	LEAD 9', end stripped
Connection option	GC, RC, SC	6" pigtail with male connector

EXTENSION CABLES (PURCHASE SEPARATELY)

PART NUMBER CC2	DESCRIPTION 2 m cable, female connector one end, stripped other end.
CC5	5 m cable, female connector one end, stripped other end.

- KEEP MAGNETIC MATERIAL AWAY -

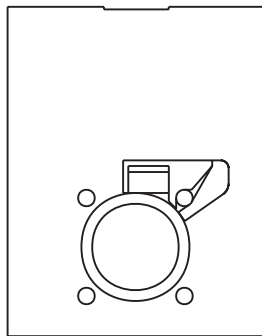
SENSING



APPROACHING PISTON MAGNET ACTIVATES SENSOR, OPERATES SWITCH AND LED.
PLACE SWITCH AS CLOSE AS POSSIBLE TO END CAP FOR CORRECT OPERATING POSITION.

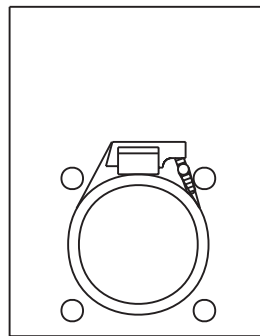
SWITCH MOUNTING

TIE ROD CLAMP



SERIES PA2 ROTARY

STRAP CLAMP



SERIES PA2 LINEAR
SERIES PA3 ROTARY & LINEAR

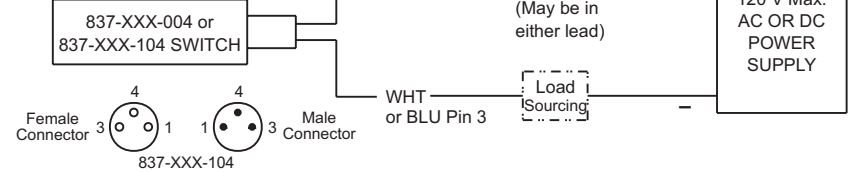
**TIGHTEN STRAP CLAMP
TO HOLD SWITCH STABLE.
DO NOT DISTORT SWITCH CASE.**

ROTOMATION REED SWITCH - OPTION G

DESCRIPTION AND RATING

Reed switch with LED & Surge Protection, normally open
Switching voltage 5-120 VAC/VDC
Switching current .5 a, max., .005 min.
Switching power 10 w, max.
Voltage drop 3.5 V
Temperature range -30 to +80C
Environment Resistant to moisture, dust, oil

OBSERVE POLARITY AND MAXIMUM RATINGS

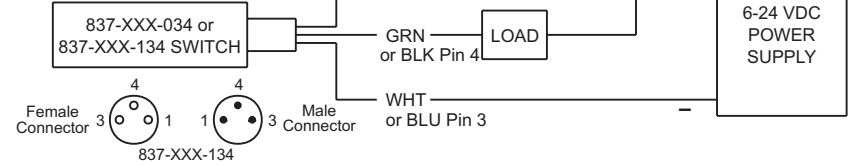


ROTOMATION SINKING (NPN) SWITCH - OPTION R

DESCRIPTION AND RATING

NO, sinking (NPN), LED
Switching voltage 6 to 24 VDC
Switching current .5 a, max.
Switching power 12 w, max.
Voltage drop .5 V
Temperature range -30 to +80C
Environment Resistant to moisture, dust, oil

OBSERVE POLARITY AND MAXIMUM RATINGS

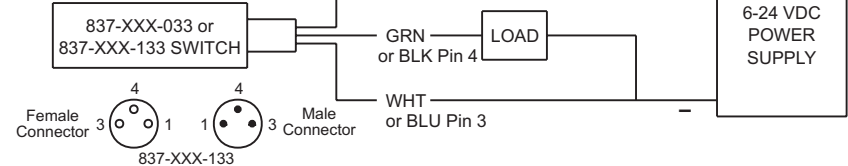


ROTOMATION SOURCING (PNP) SWITCH - OPTION S

DESCRIPTION AND RATING

NO, sourcing (PNP), LED
Switching voltage 6 to 24 VDC
Switching current .5 a, max.
Switching power 12 w, max.
Voltage drop .5 V
Temperature range -30 to +80C
Environment Resistant to moisture, dust, oil

OBSERVE POLARITY AND MAXIMUM RATINGS



ROTOMATION TESTS ALL SWITCHES FOR PROPER FUNCTION BEFORE SHIPMENT AND CANNOT REPLACE THEREAFTER. SWITCHES OF OTHER MANUFACTURE HAVE NO GUARANTEE OF COMPATIBLE PERFORMANCE BY ROTOMATION, INC.