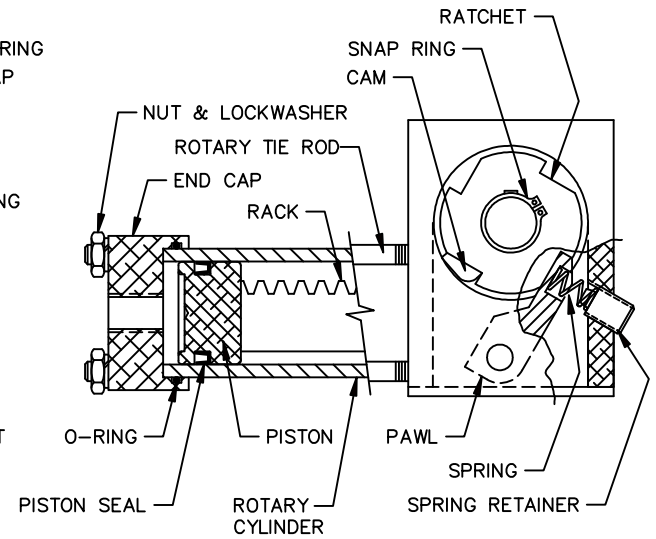
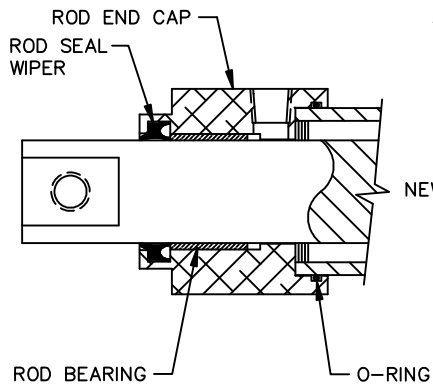


SIDE VIEW
 TIE RODS NOT SHOWN



REAR VIEW
 BODY CAP REMOVED
 CCW VERSION SHOWN, IN INDEXED POSITION



NEW DESIGN 2/7/01

NOTES:

1. PX2 SHOWN, FOR PX22 ADDITIONAL CYLINDER & RACK ASSEMBLY PLACED ABOVE PINION, PERTINENT PARTS SIMILAR.
2. 90° INDEXER SHOWN, OTHERS SIMILAR EXCEPT FOR RATCHET, CYLINDER & RACK LENGTH.
3. SEAL KIT INCLUDES ALL SEALS, O-RINGS, ROD WIPER, ETC. IN ACTUATOR.
4. ORDER PARTS BY PART NAME AND COMPLETE UNIT SPECIFICATION NUMBER OR SERIAL NUMBER.

ROTOMATION

11 SUNSHINE BLVD. ORMOND BEACH, FL. 32174

PX2 "NITPICKER" PARTS LOCATION

DWG. NO. PA2-040