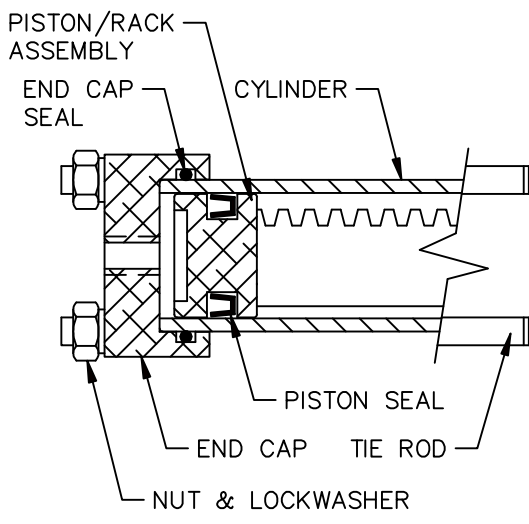
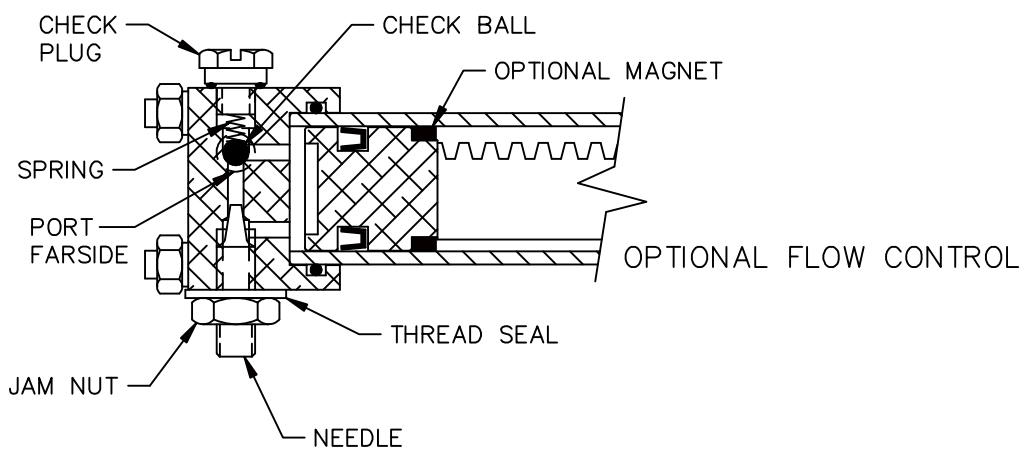


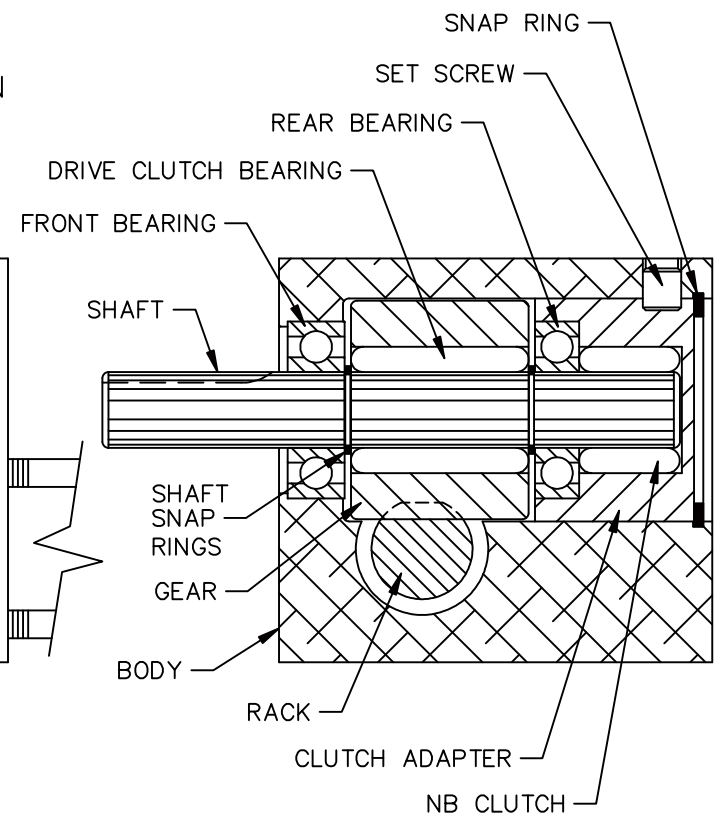
OPTIONAL ROTATION ADJUSTER  
NEEDLE  
THREAD SEAL  
JAM NUT



PISTON/RACK ASSEMBLY  
END CAP SEAL  
CYLINDER  
PISTON SEAL  
END CAP TIE ROD  
NUT & LOCKWASHER



CHECK PLUG  
CHECK BALL  
OPTIONAL MAGNET  
SPRING  
PORT FARSIDE  
OPTIONAL FLOW CONTROL  
THREAD SEAL  
JAM NUT  
NEEDLE



SNAP RING  
SET SCREW  
REAR BEARING  
DRIVE CLUTCH BEARING  
FRONT BEARING  
SHAFT  
SHAFT SNAP RINGS  
GEAR  
BODY  
RACK  
CLUTCH ADAPTER  
NB CLUTCH

**NOTE:**  
ORDER PARTS BY PART NAME AND COMPLETE UNIT SPECIFICATION NUMBER OR SERIAL NUMBER.



11 SUNSHINE BLVD. ORMOND BEACH, FL. 32174

S1 STEPPER PARTS LOCATION

DWG. NO. A1-108