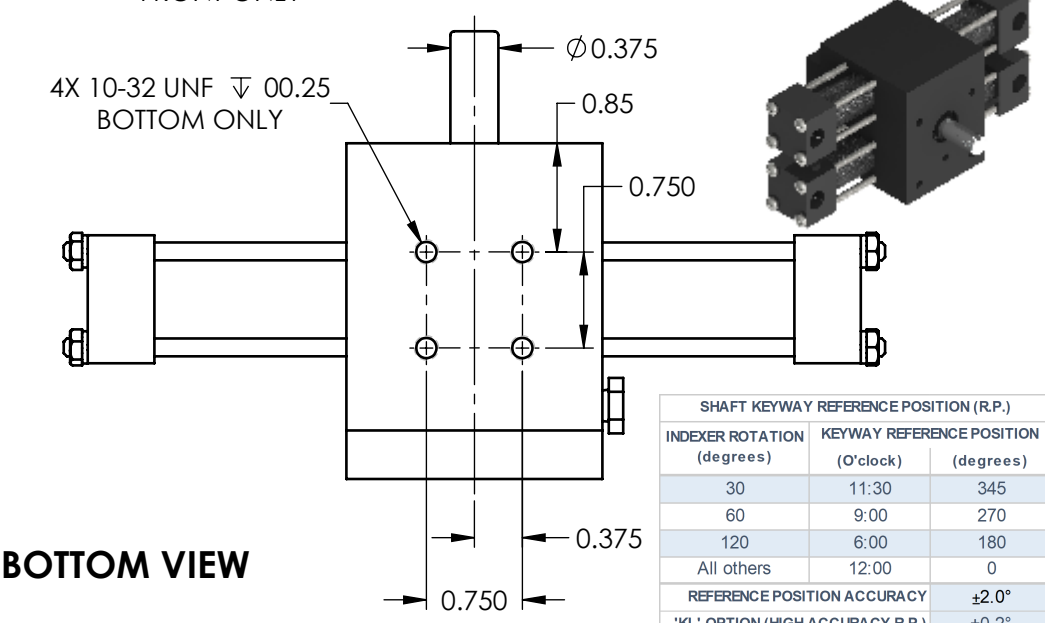
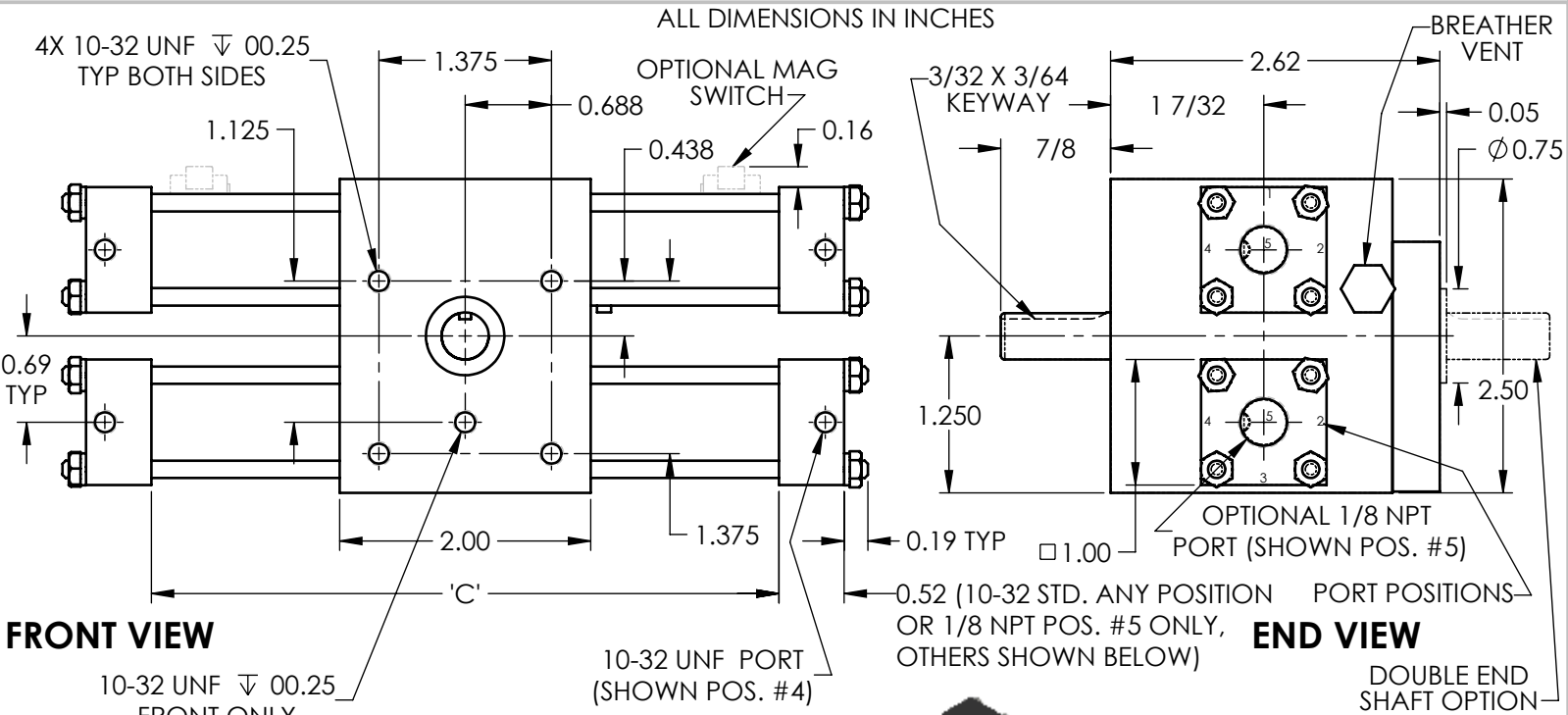


X12 INDEXING ACTUATOR



'C' DIMENSION

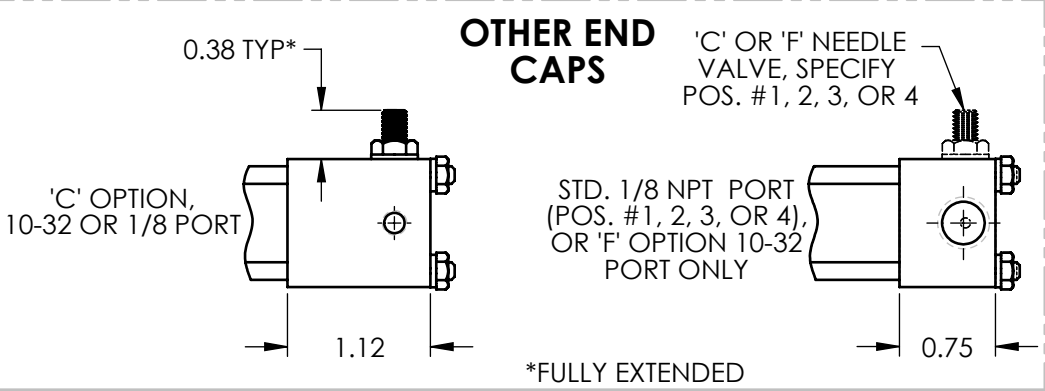
ROTATION +/-0.2 (degrees)	STANDARD (inches)	'R' OR 'S' OPTION (inches)
12	2.06	4.79
15	2.06	4.81
18	2.06	4.84
22.5	2.06	4.88
30	2.06	4.95
36	2.06	5
45	2.06	5.08
60	2.27	5.21
72	2.48	5.21
90	2.8	5.21
120	3.32	5.21
180	4.37	5.21
360	7.51	8.01

OPTIONS: ADD TO 'C' DIM. PER SIDE

'Q' OPTION	'Q' & 'A' OPTION	'HP', 'A', OR 'K' OPTION
0.06	N/A	N/A

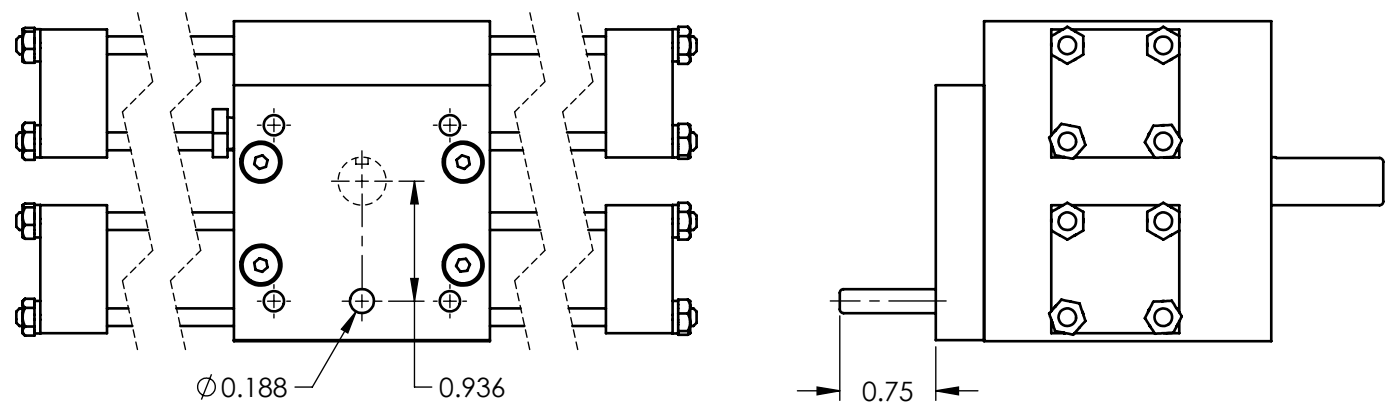
RATINGS

Torque Factor (in-lb/psi)	0.306
Bore Diameter (in)	5/8
Max. Working Pressure (psi)	150
Backlash @ End of Stroke (degrees)	0
Max. Bearing Axial Load (lb)	76
Max. Bearing Radial Load (lb)	305
Shaft Bearing Spacing (in)	1.76
Max. Reverse Torque (in lb)	23
Max. Kinetic Energy (in lb)	2.1
Displacement (in ³ /deg.)	0.0052
Weight: 180 deg. basic unit (lb)	2.1
Operating Temp. Range (°F):	Basic 0 to 180 'R', 'S', or 'Q' OPTION 0 to 160



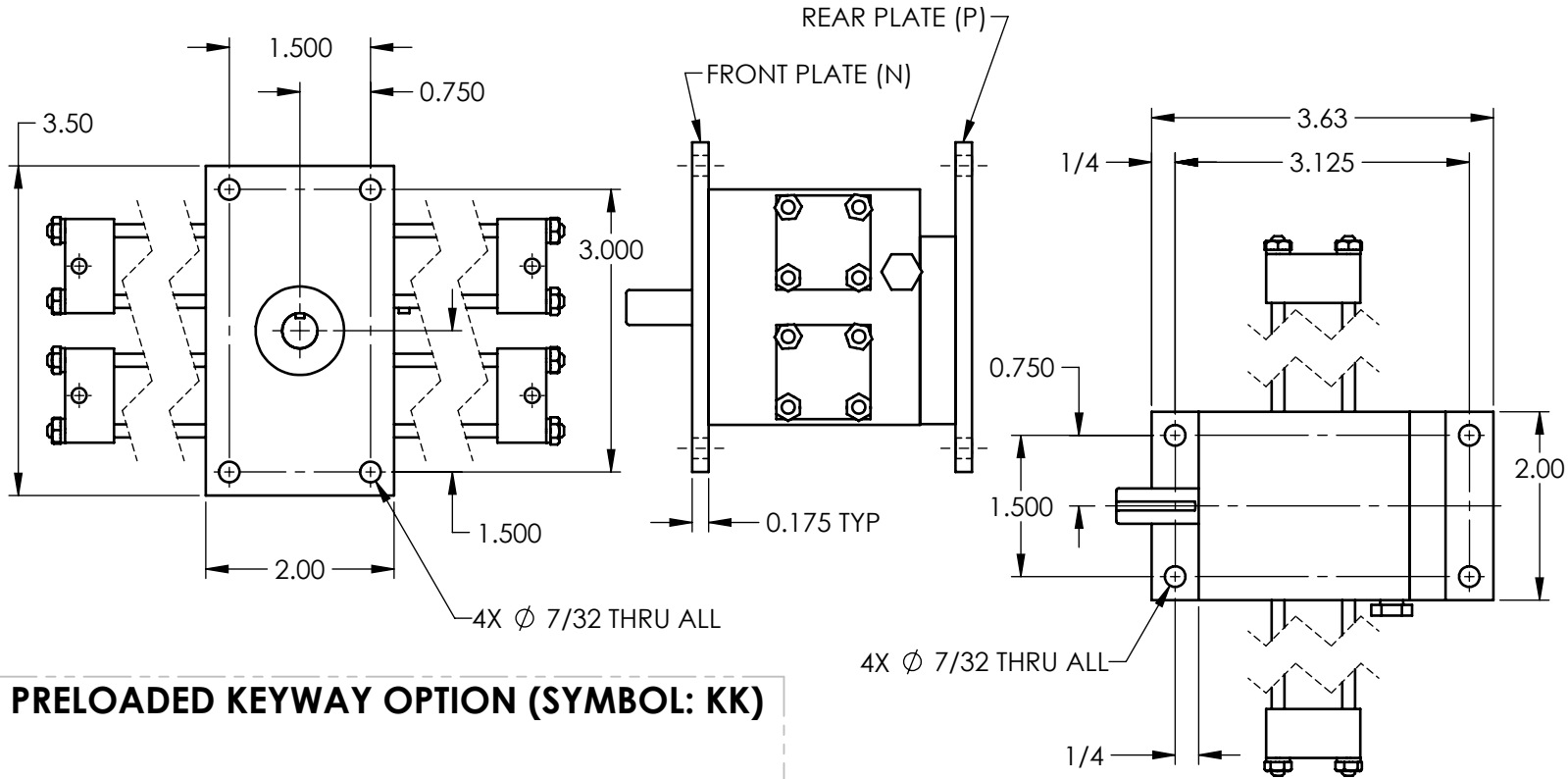
X12 ACTUATOR OPTIONS

EXTENDED PAWL SHAFT (SYMBOL: E)



PAWL SHAFT MOVES 7° AT INDEX AND RESET (CAM DRIVEN AT RESET AND SPRING DRIVEN AT INDEX. USE NON-CONTACT SENSOR ONLY).

MOUNTING PLATE OPTIONS (SYMBOL: M, N, OR P)



PRELOADED KEYWAY OPTION (SYMBOL: KK)

