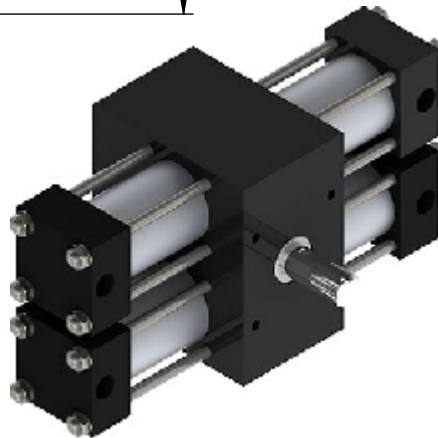
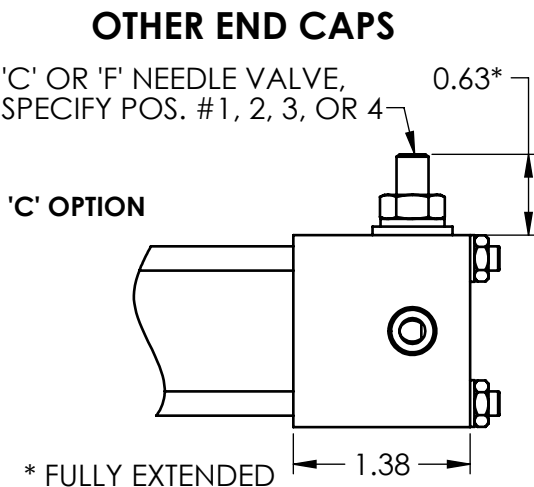
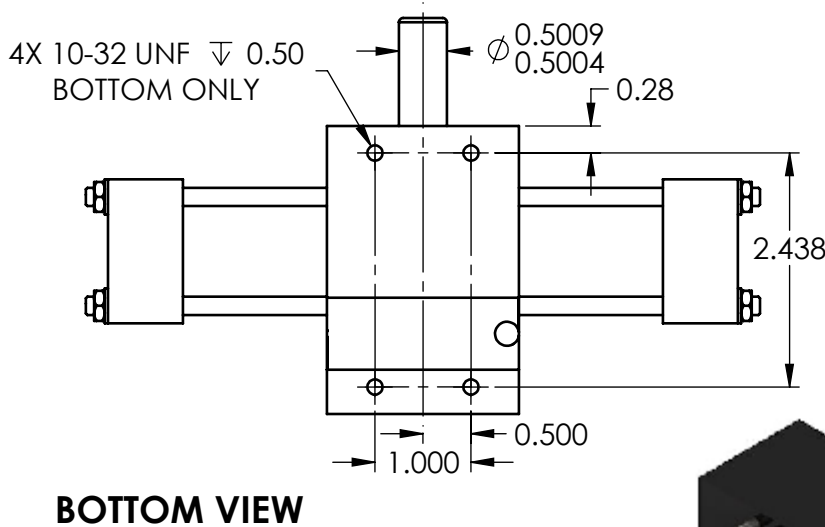
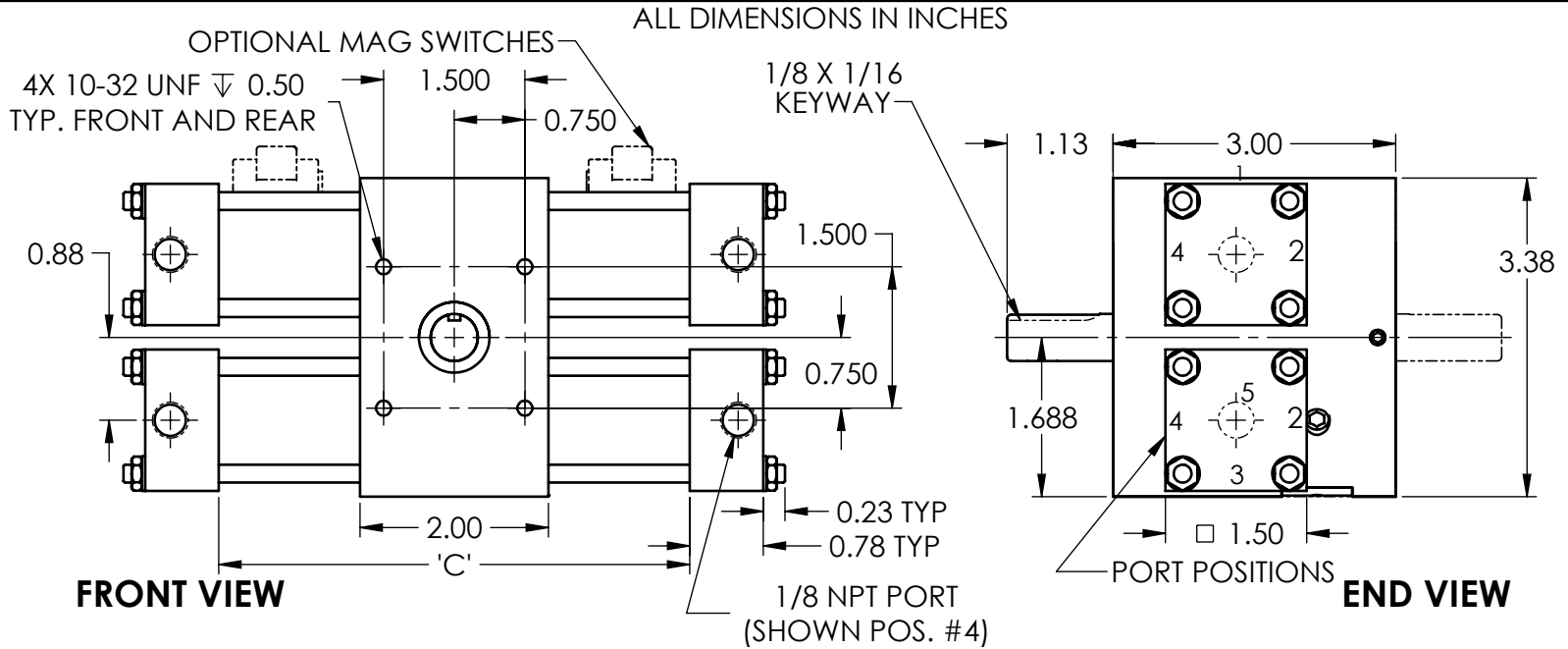


X22 INDEXING ACTUATOR



SHAFT KEYWAY REFERENCE POSITION (R.P.)		
INDEXER ROTATION (degrees)	KEYWAY REFERENCE POSITION (O'clock)	(degrees)
30	11:30	345
60	9:00	270
120	6:00	180
All others	12:00	0
REFERENCE POSITION ACCURACY		$\pm 2.0^\circ$
'KL' OPTION (HIGH ACCURACY R.P.)		$\pm 0.2^\circ$

Note: 'KL' option not available on 15, 18, and 22.5 degrees units.

'C' DIMENSION		
ROTATION ± 0.2 (degrees)	STANDARD (inches)	'G', 'R' OR 'S' OPTION (inches)
12	2.89	5.36
15	2.96	5.39
18	3.02	5.42
22.5	3.12	5.47
30	3.28	5.55
36	3.42	5.62
45	3.61	5.72
60	3.94	5.88
72	4.2	5.88
90	4.59	5.88
120	5.25	6.25
180	6.56	7.56
360	10.48	11.48

OPTIONS: ADD TO 'C' DIM. PER SIDE

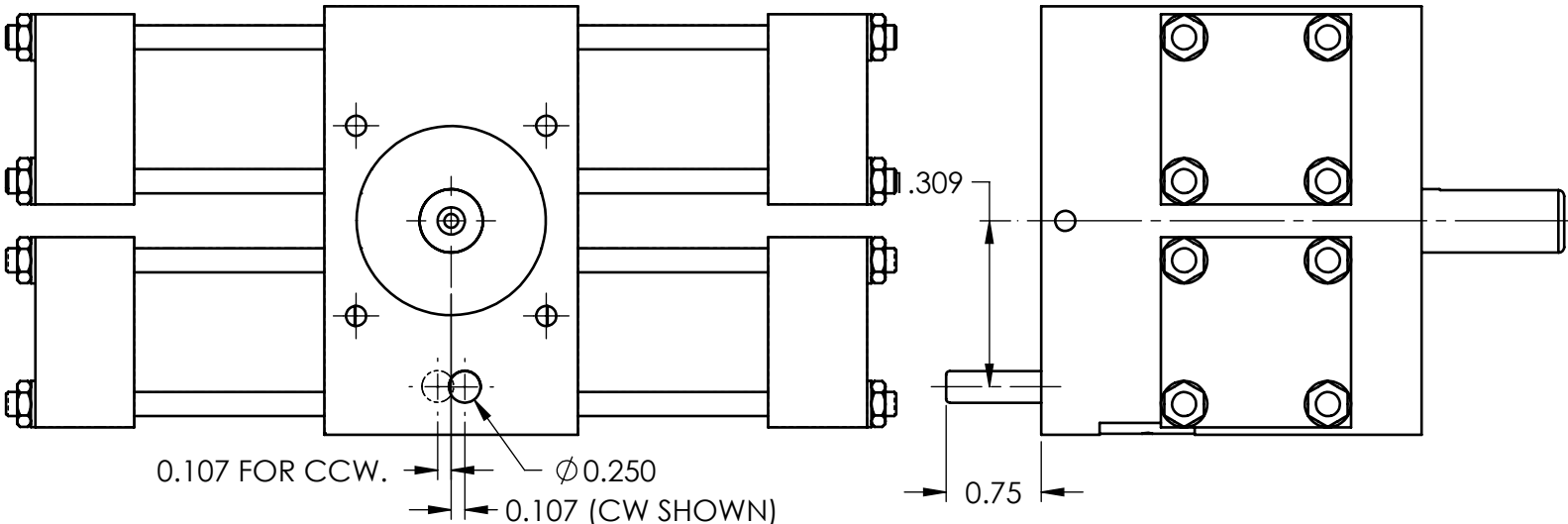
'Q' OPTION (RESET ONLY)	'Q' & 'A' OPTION	'A' OR 'K' OPTION
0.06	N/A	0.50

RATINGS

Torque Factor (in-lb/psi)	0.98
Bore Diameter (in)	1
Max. Working Pressure (psi)	75
Rotational Accuracy (degrees) (non-accumulating)	± 0.2
Backlash @ End of Stroke (degrees)	0
Max. Inward Bearing Axial Load (lb)	20
Max. Bearing Radial Load (lb)	612
Shaft Bearing Spacing (in)	2.15
Max. Reverse Torque (in lb)	37
Max. Kinetic Energy (in lb)	4
Displacement (in³/deg.)	0.0172
Weight: 180 deg. basic unit (lb)	4.5
Operating Temp. Range (°F):	Basic 0 to 180 'G', 'R', 'S', or 'Q' OPTION 0 to 160

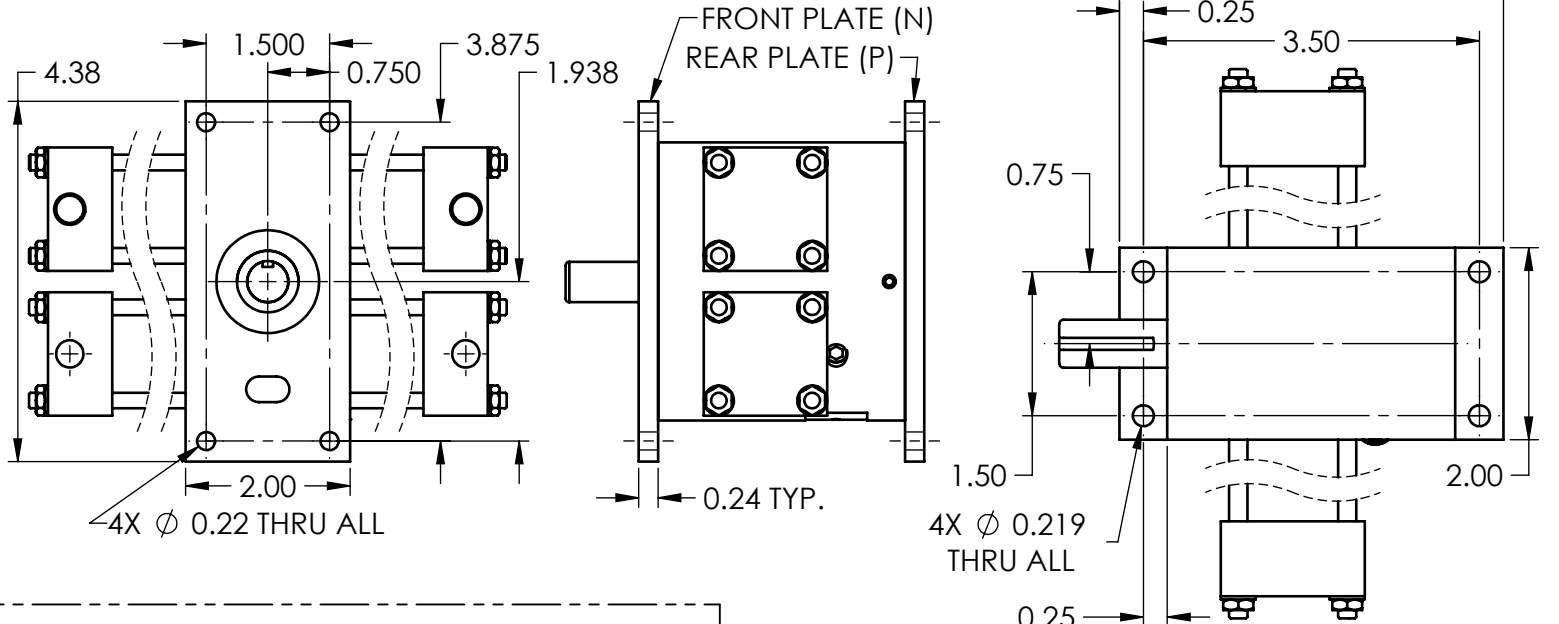
X22 ACTUATOR OPTIONS

EXTENDED PAWL SHAFT (SYMBOL: E)



PAWL SHAFT MOVES 7° BETWEEN INDEX AND RESET
 (CAM DRIVEN AT RESET AND SPRING DRIVEN AT INDEX. USE NON-CONTACT SENSOR ONLY).

MOUNTING PLATE OPTIONS (SYMBOL: M, N, OR P)



PRELOADED KEYWAY ('KK') OPTION

