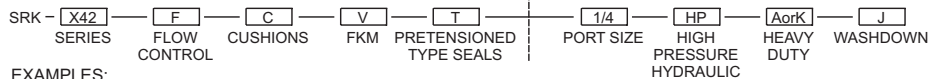


SEAL REPAIR KITS AND SEAL OPTIONS

PART NUMBERS FOR SEAL REPAIR KITS



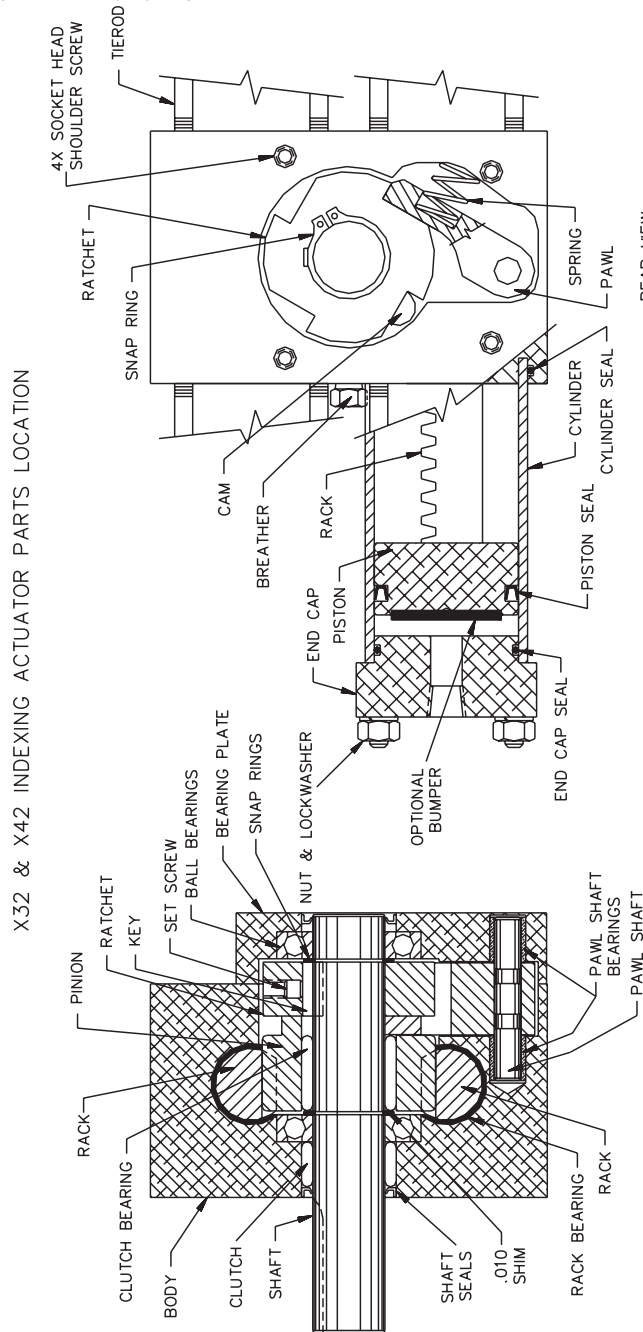
EXAMPLES:

SEAL KIT FOR A2-90-TC-S5-3C2-1A-3RL-1/8-1 = SRK-A2-CA

SEAL KIT FOR A42-180-TC-S10-2F1-1/4-K = SRK-A42-F-1/4-K

SEAL KIT FOR SPECIAL, SUCH AS A2-B004 = SRK-A2-B004

IF PART NUMBER IS NOT KNOWN, PROVIDE UNIT SERIAL NUMBER FROM LABEL OR STAMPED INTO BODY UNDER LABEL.

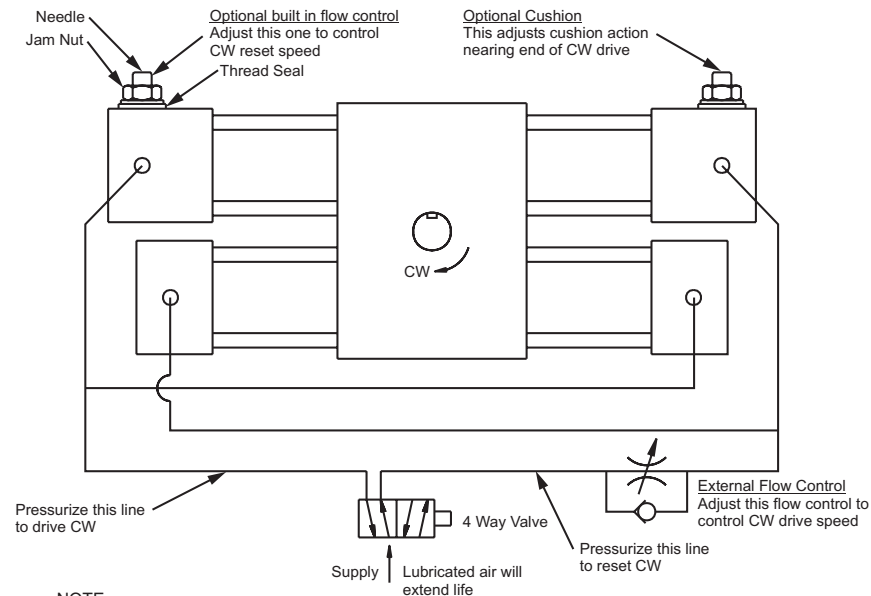


NOTE: ORDER PARTS BY PART NAME AND COMPLETE PART NUMBER OR SERIAL NUMBER.



11 Sunshine Blvd. Ormond Beach, FL 32174 Phone: 386/676-6377 Fax: 386/676-6379
Email: sales@rotomation.com Website: www.rotomation.com

X32 & X42 INDEXING ACTUATOR INSTALLATION AND SETUP



NOTE: REVERSE OPTION LOCATIONS AND OPERATIONS FOR CCW INDEXER ACTUATOR.

ADJUST IN FOLLOWING ORDER:

Skip options which your actuator does not have.

Speed adjustment is made with flow controls, built in ("F" option) or external (not supplied by Rotomation).

To adjust built in controls:

To adjust drive speed (shaft rotation speed) or speed of reset,

1. Loosen jam nut.
2. Tighten needle to reduce speed, loosen to increase speed. Make small adjustments.
3. Tighten jam nut while holding needle steady.

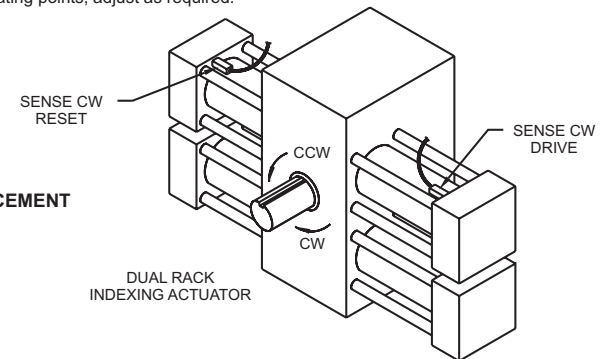
To adjust cushion ("C" option) on reset:

1. Loosen jam nut.
2. Tighten needle to increase stiffness of cushion, loosen to decrease. Do not close needle.
3. Tighten jam nut while holding needle steady.

To adjust magnetic switch "G", "R" or "S" option.

1. DISABLE AUTOMATIC CONTROL. KEEP CLEAR OF SHAFT AND SHAFT MOUNTED PARTS!
2. Apply voltage to switch only; place switch at end of cylinder sensing drive as shown.
3. Manually valve system to drive unit to rotate shaft to index point.
4. With clamp loose, move switch sensing drive toward body until LED glows, clamp.
5. Valve system to drive unit to reset.
6. With clamp loose, move switch sensing reset toward body until LED glows, clamp.
7. Cycle to check operating points, adjust as required.

ACTUATOR SWITCH PLACEMENT



SWITCH-LEADS

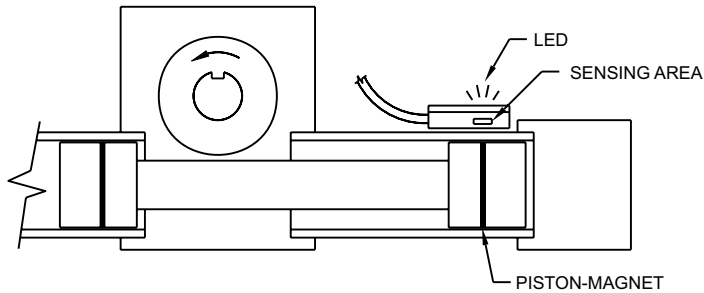
	OPTION	LEAD
Standard-Lead	GL,-RL,-SL	9',-end-stripped
Connection-option	GC,-RC,-SC	6"-pigtail-with-male connector

EXTENSION-CABLES-(PURCHASE-SEPARATELY)

PART NUMBER	DESCRIPTION
CC2	2-m-cable,-female-connector-one-end,-stripped-other-end.
CC5	5-m-cable,-female-connector-one-end,-stripped-other-end.

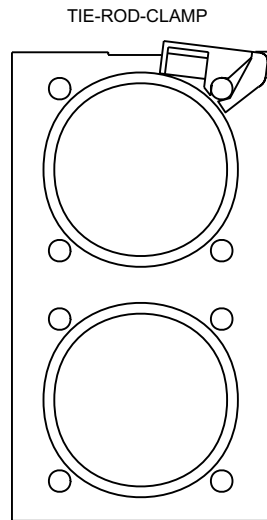
--KEEP MAGNETIC-MATERIAL AWAY -

SENSING

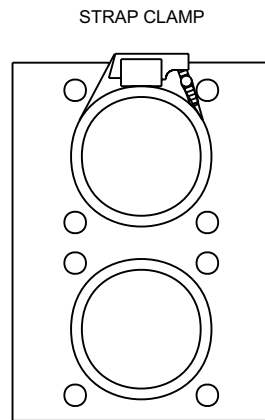


APPROACHING-PISTON-MAGNET ACTIVATES-SENSOR,-OPERATES-SWITCH-AND-LED.
PLACE-SWITCH-AS-CLOSE-AS-POSSIBLE-TO-END-CAP-FOR-CORRECT-OPERATING-POSITION.

SWITCH-MOUNTING



SERIES-X42



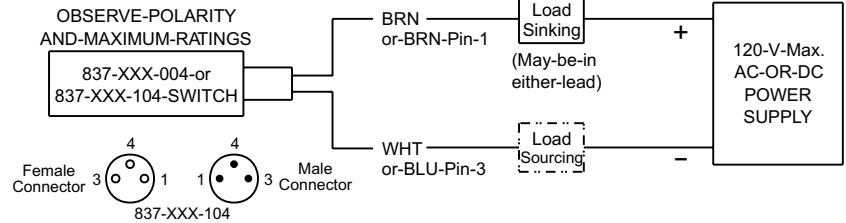
SERIES-X32

TIGHTEN-STRAP CLAMP
TO-HOLD-SWITCH-STABLE.
DO-NOT DISTORT-SWITCH-CASE.

ROTOMATION-REED-SWITCH---OPTION-G

DESCRIPTION AND-RATING

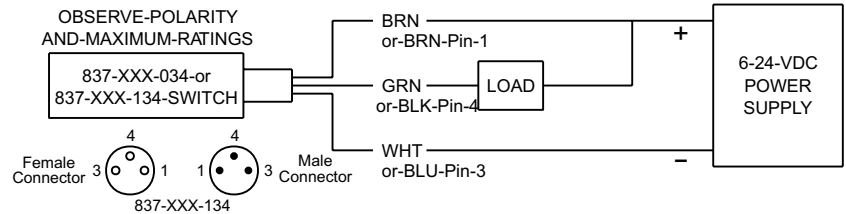
Reed-switch-with-LED-&-Surge-Protection,-normally-open
Switching-voltage 5-120-VAC/VDC
Switching-current .5-a,-max,-.005-min.
Switching-power 10-w,-max.
Voltage-drop 3.5-V
Temperature-range -30-to-+80C
Environment Resistant-to-moisture,-dust,-oil



ROTOMATION-SINKING-(NPN)-SWITCH---OPTION-R

DESCRIPTION AND-RATING

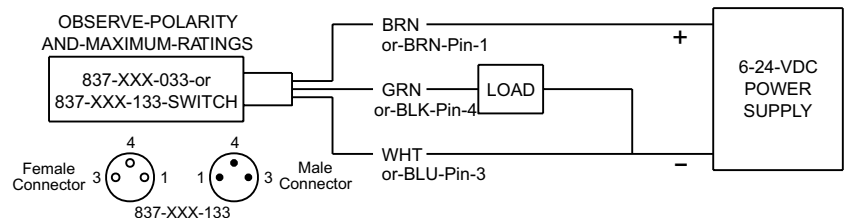
NO,-sinking-(NPN),-LED
Switching-voltage 6-to-24-VDC
Switching-current .5-a,-max.
Switching-power 12-w,-max.
Voltage-drop .5-V
Temperature-range -30-to-+80C
Environment Resistant-to-moisture,-dust,-oil



ROTOMATION-SOURCING-(PNP)-SWITCH---OPTION-S

DESCRIPTION AND-RATING

NO,-sourcing-(PNP),-LED
Switching-voltage 6-to-24-VDC
Switching-current .5-a,-max.
Switching-power 12-w,-max.
Voltage-drop .5-V
Temperature-range -30-to-+80C
Environment Resistant-to-moisture,-dust,-oil



ROTOMATION-TESTS ALL SWITCHES-FOR-PROPER-FUNCTION-BEFORE-SHIPMENT-AND-CANNOT-REPLACE-THEREAFTER.
SWITCHES-OF-OTHER-MANUFACTURE-HAVE-NO-GUARANTEE-OF-COMPATIBLE-PERFORMANCE-BY-ROTOMATION,-INC.