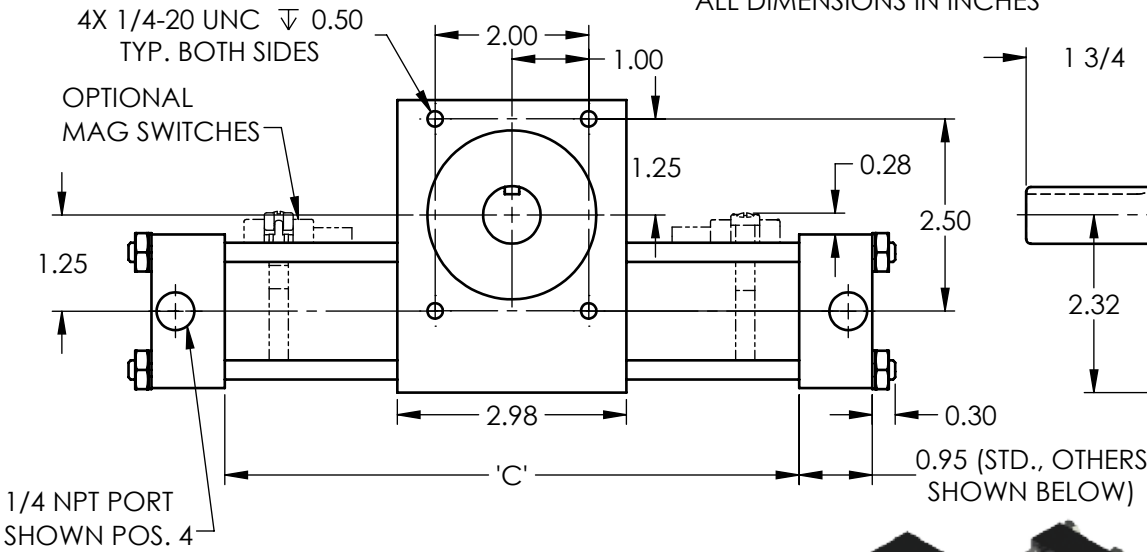
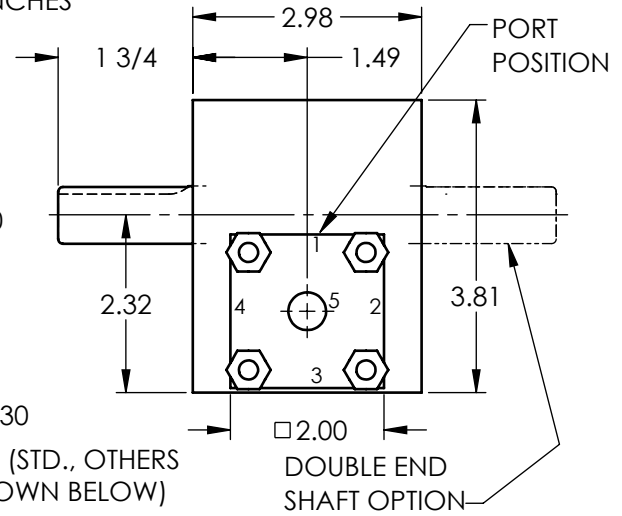


A3 ROTARY ACTUATOR

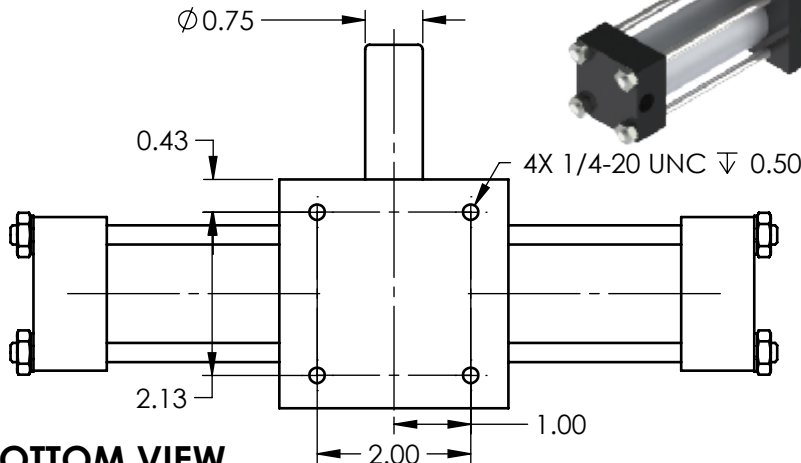
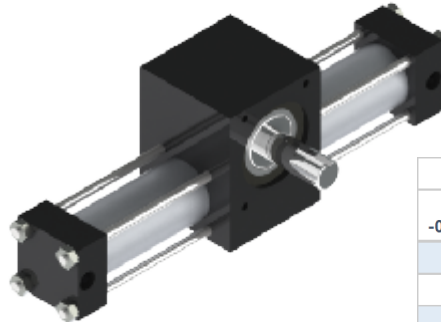
ALL DIMENSIONS IN INCHES



FRONT VIEW



END VIEW



BOTTOM VIEW

'C' DIMENSION		
ROTATION -0/+3 (degrees)	STANDARD (inches)	'G', 'R' OR 'S' OPTION (inches)
30	4.44	6.63
45	4.96	6.9
60	5.49	7.16
90	6.53	7.53
100	6.88	7.88
120	7.58	8.58
180	9.68	10.68
190	10.03	11.03
270	12.82	13.82
360	15.96	16.96
370	16.31	17.31
540	22.24	23.24
550	22.59	23.59
720	28.53	29.53
730	28.87	29.87

OPTIONS: ADD TO 'C' DIM. PER SIDE

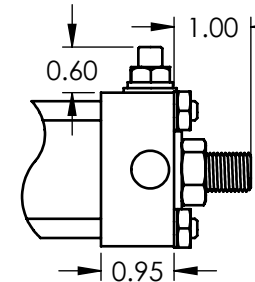
'Q' OPTION	'Q' & 'A' OPTION	'HP', 'A', OR 'K' OPTION
0.06	0.29	0.50

RATINGS

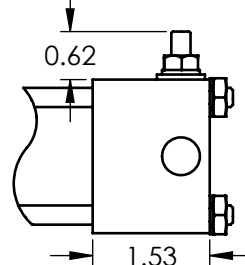
Torque Factor (in-lb/psi)	1.49
Bore Diameter (in)	1 3/8
Max. Working Pressure (psi)	250
Rotational Accuracy (degrees)	-0/+3
Backlash end of stroke (degrees)	0.5
Max. Bearing Axial Load (lb)	500
Max. Bearing Radial Load (lb)	2020
Shaft Bearing Spacing (in)	2.09
Displacement (in ³ /deg.)	0.026
Weight: 180 deg. basic unit (lb)	6.1
Operating Temperature Range (°F):	Basic -20 to 250
	'G', 'R', 'S', or 'Q' OPT. 0 to 160
	'A' or 'K' OPTION 0 to 180

OTHER END CAPS

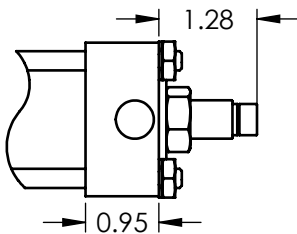
'A' OPTION OR 'F' & 'A' OPTS.



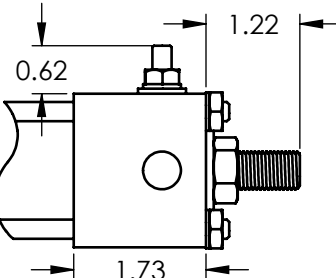
'C' OPTION



'Q' & 'A' OPTIONS

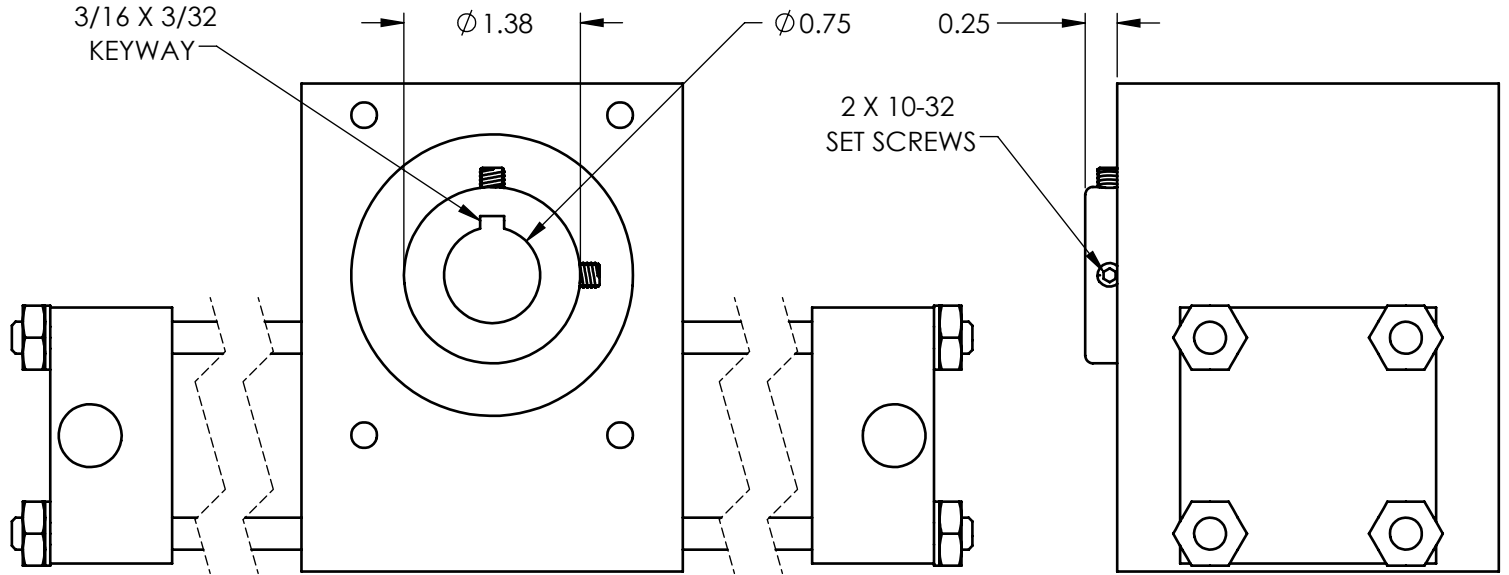


'C' & 'A' OPTIONS

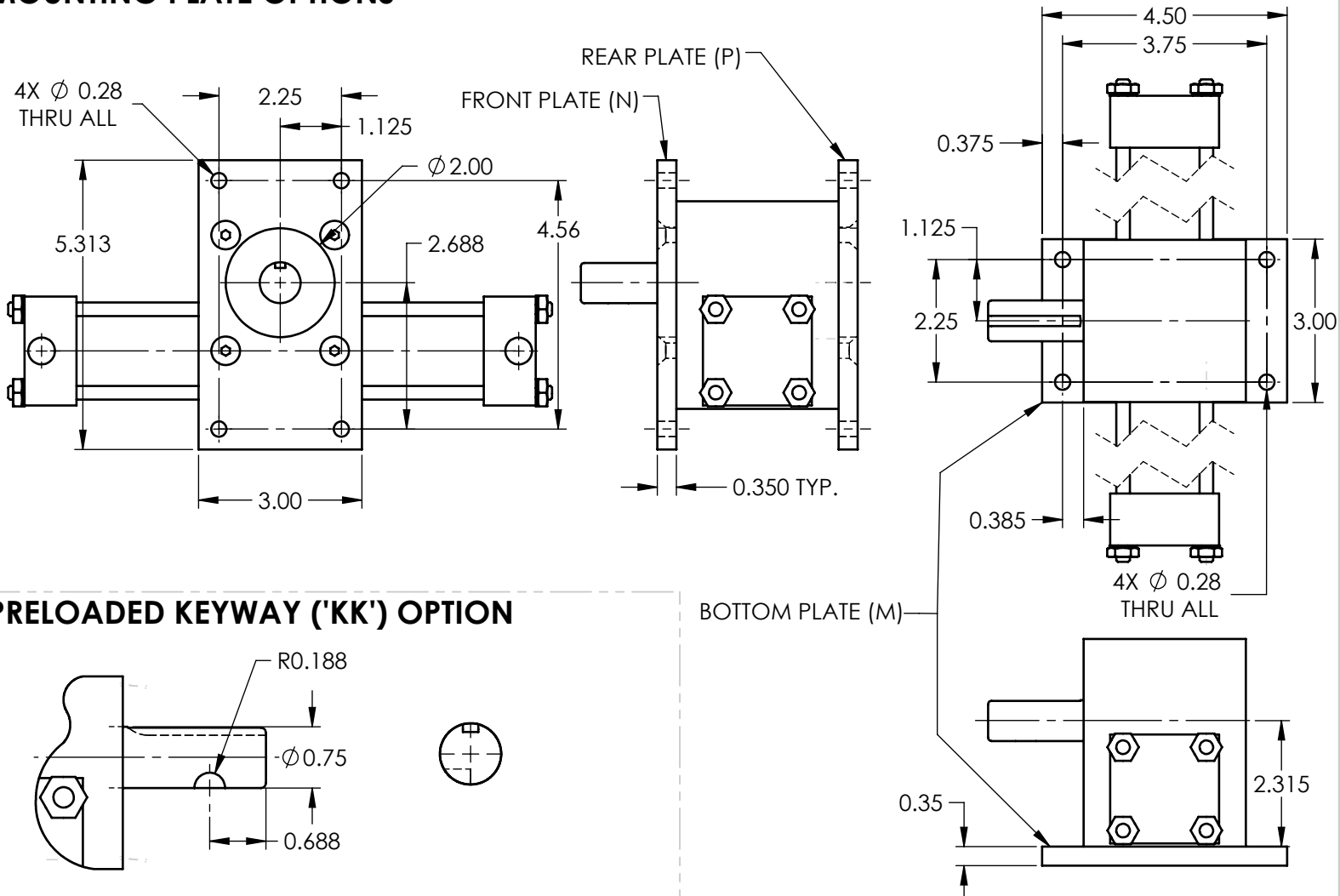


A3 ACTUATOR OPTIONS

HOLLOW SHAFT OPTION



MOUNTING PLATE OPTIONS



PRELOADED KEYWAY ('KK') OPTION

