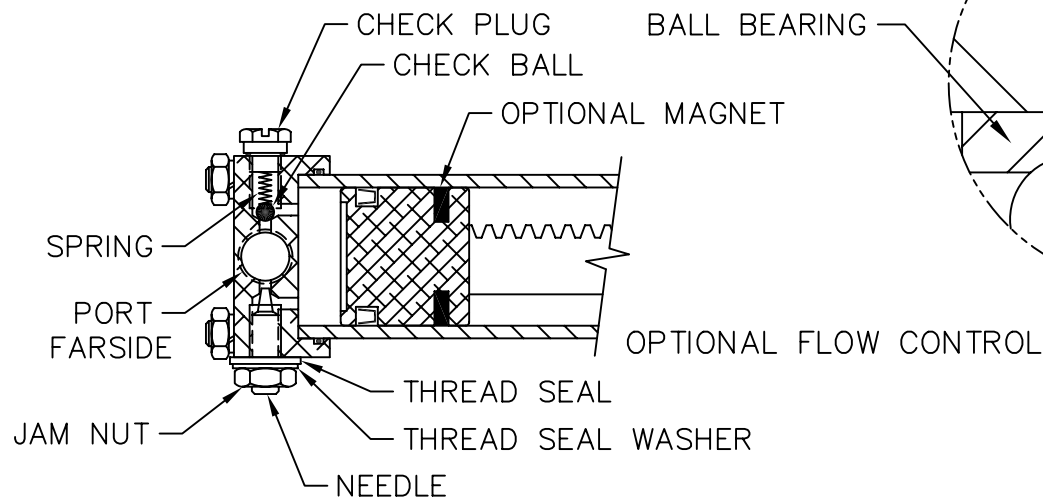
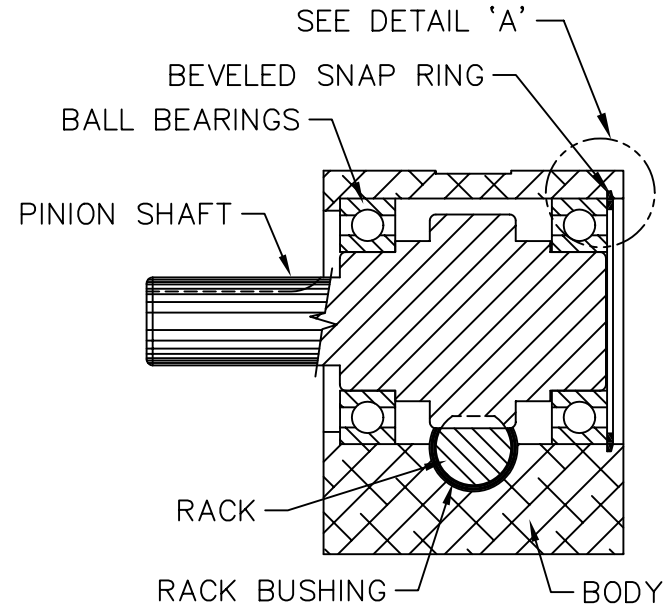
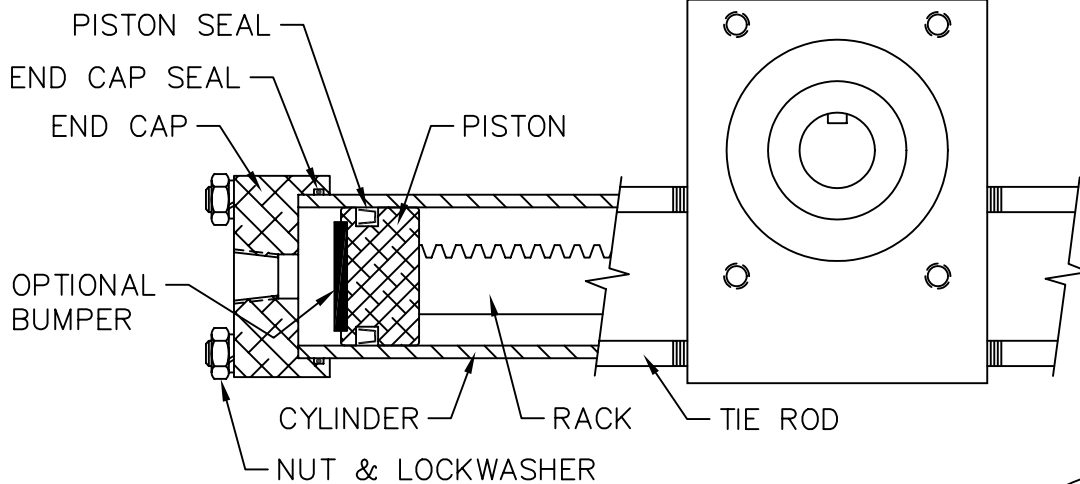
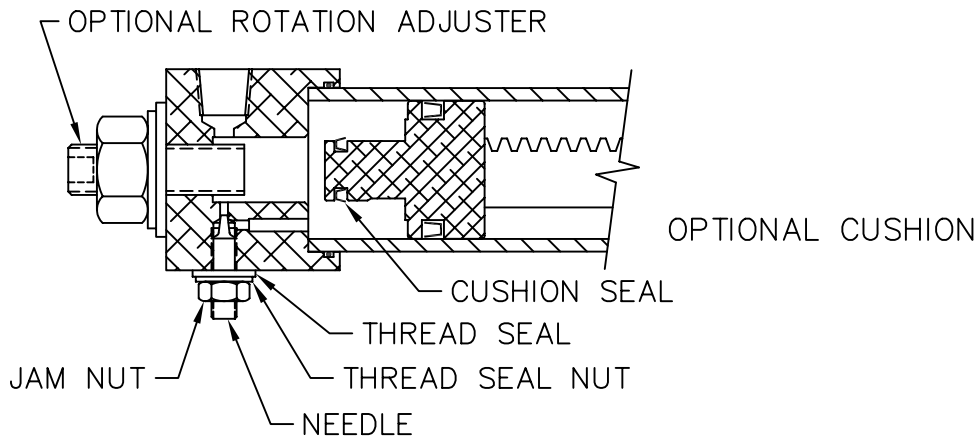


**NOTE:**  
 ORDER PARTS BY PART NAME AND COMPLETE UNIT  
 SPECIFICATION NUMBER OR SERIAL NUMBER.



DETAIL 'A'  
**ROTOMATION**

11 SUNSHINE BLVD. ORMOND BEACH, FL. 32174

A3 ACTUATOR PARTS LOCATION

DWG. NO. A3-014