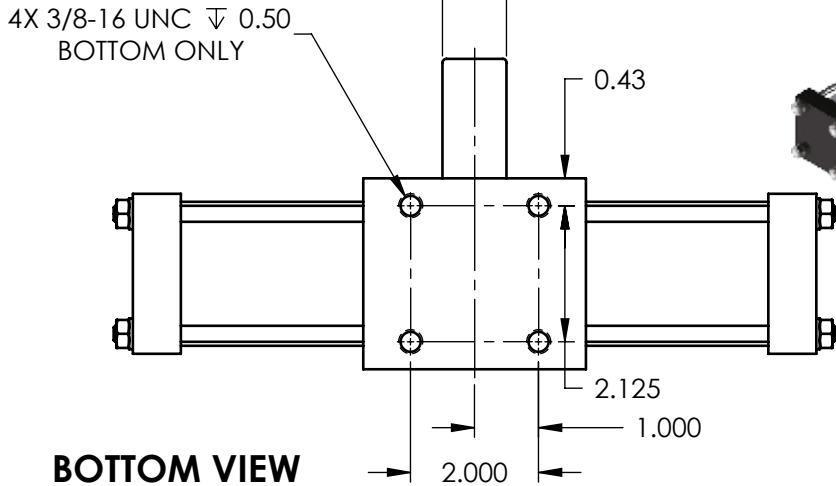
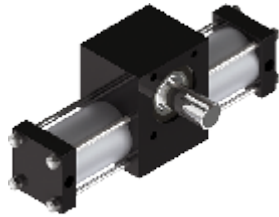
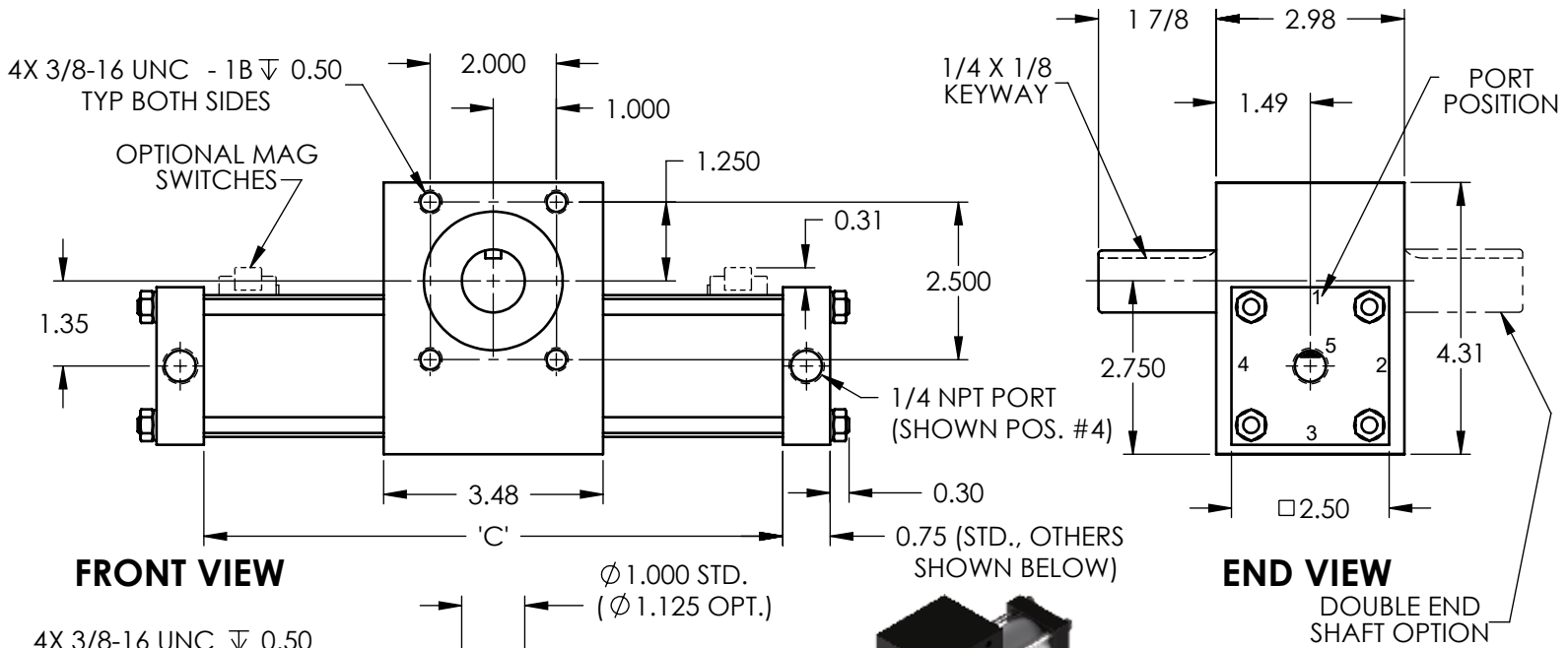


A4 ROTARY ACTUATOR

ALL DIMENSIONS IN INCHES

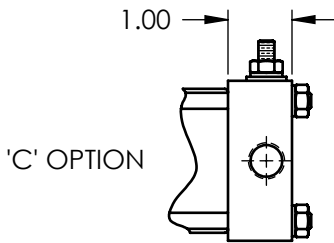


'C' DIMENSION		
ROTATION -0/+2 (degrees)	STANDARD (inches)	G', 'R' OR 'S' OPTION (inches)
30	6.81	7.29
45	7.39	7.58
60	7.96	7.96
90	9.12	9.12
100	9.5	9.5
120	10.27	10.27
180	12.57	12.57
190	12.95	12.95
270	16.03	16.03
360	19.48	19.48
370	19.87	19.87
540	26.39	26.39
550	26.78	26.78
720	33.31	33.31
730	33.69	33.69

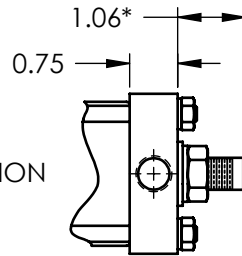
OPTIONS: ADD TO 'C' DIM. PER SIDE		
Q' OPTION	Q' & 'A' OPTION	HP', 'A', OR 'K' OPTION
0.06	0.29	1.00

RATINGS	
Torque Factor (in-lb/psi)	3.46
Bore Diameter (in)	2
Max Working Pressure (psi)	250
Backlash end of stroke (degrees)	0.5
Max. Bearing Axial Load (lb)	500
Max. Bearing Radial Load (lb)	2020
Shaft Bearing Spacing (in)	2.09
Displacement (in ³ /deg.)	0.061
Weight: 180 deg. standard unit (lb)	9.3
Operating Temperature (deg. F)	-20 to 250

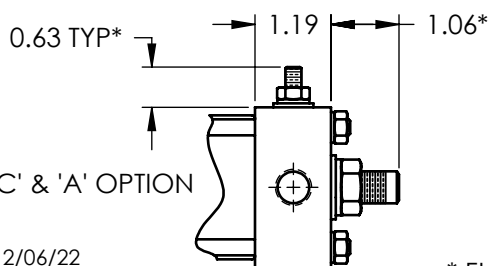
OTHER END CAPS



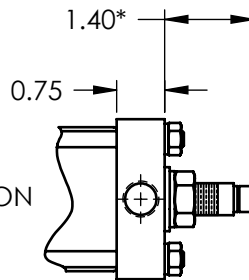
'C' OPTION



'A' OR 'F' & 'A' OPTION



'C' & 'A' OPTION



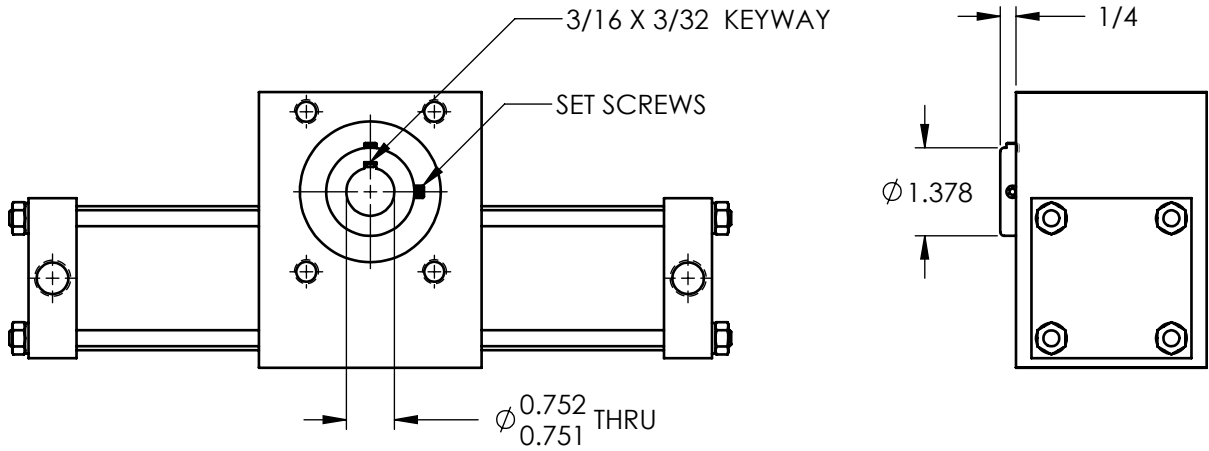
'Q' & 'A' OPTION

* FULLY EXTENDED

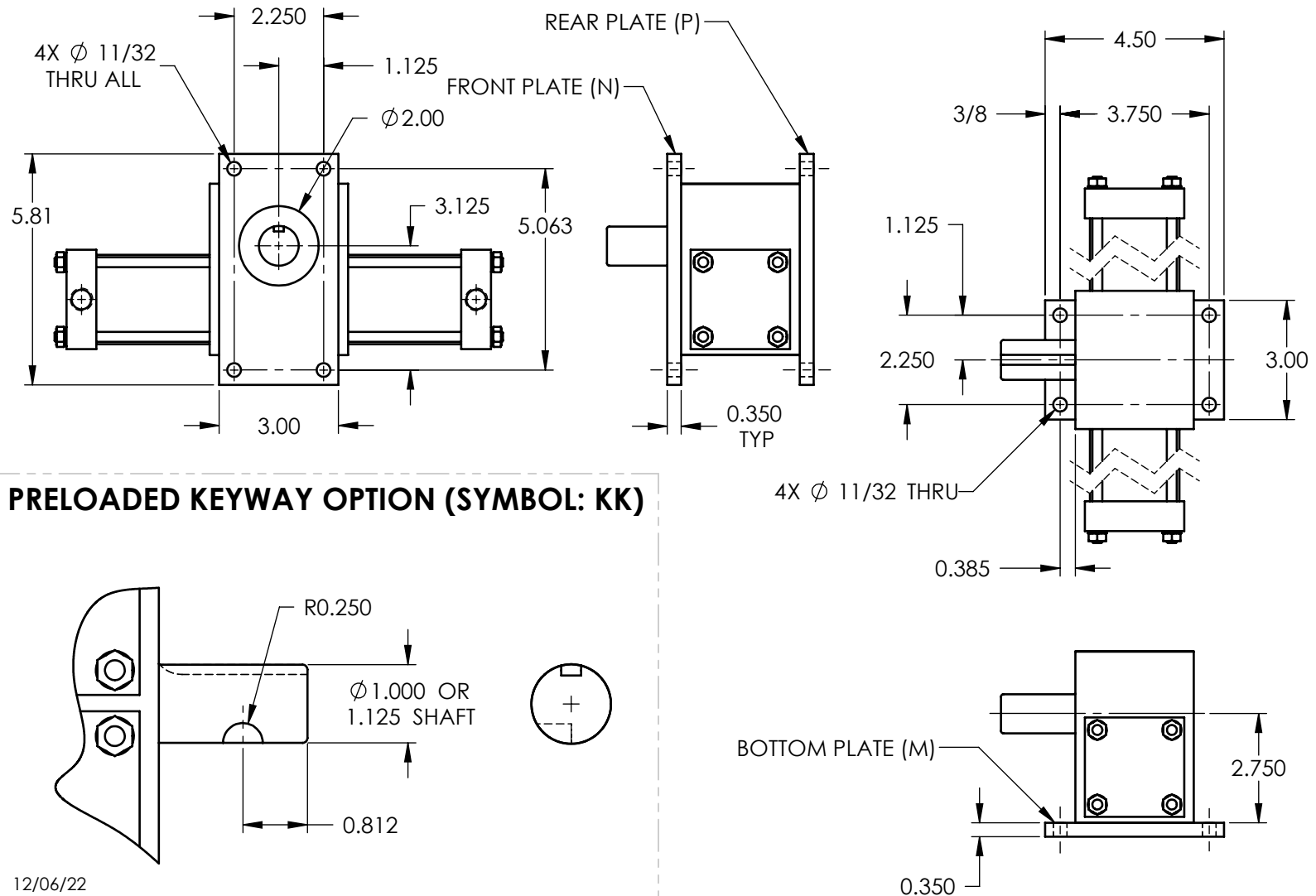
12/06/22

A4 ACTUATOR OPTIONS

HOLLOW SHAFT OPTION (SYMBOL: HS75)



MOUNTING PLATE OPTIONS (SYMBOL: M, N, OR P)



PRELOADED KEYWAY OPTION (SYMBOL: KK)

12/06/22