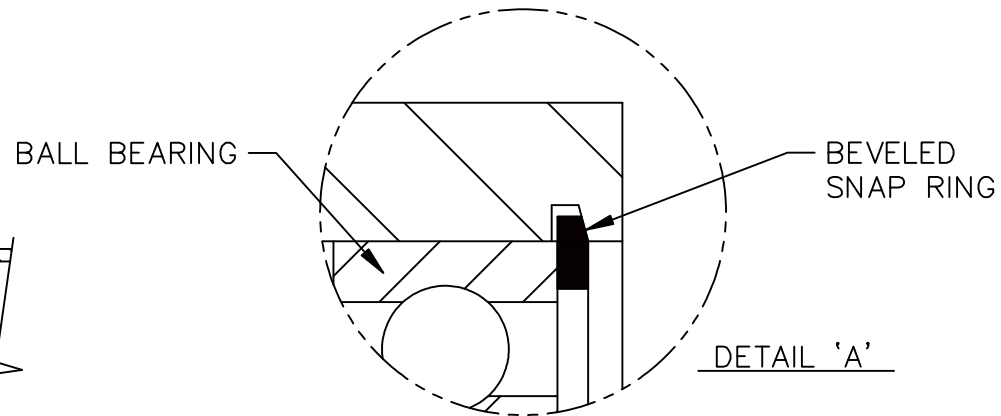
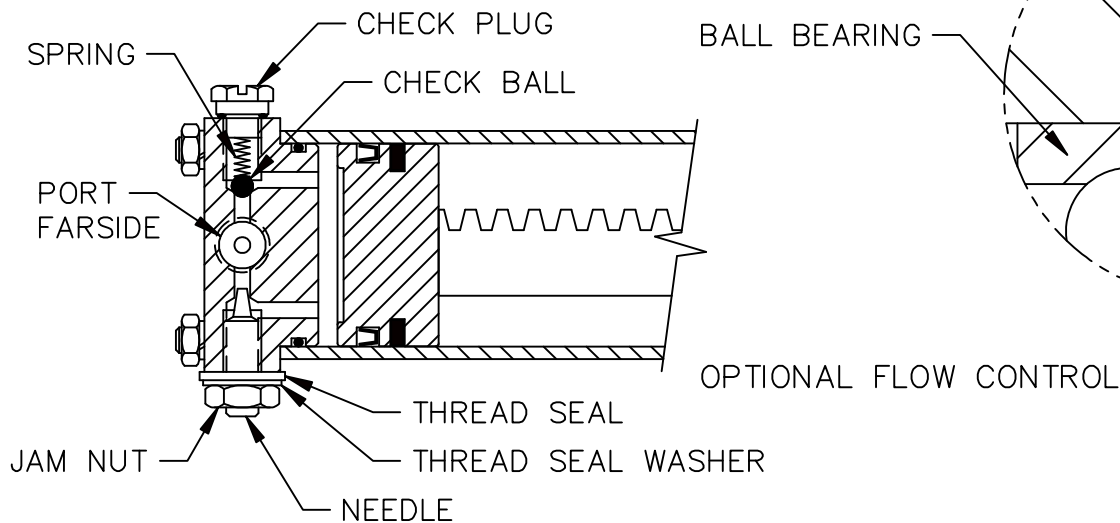
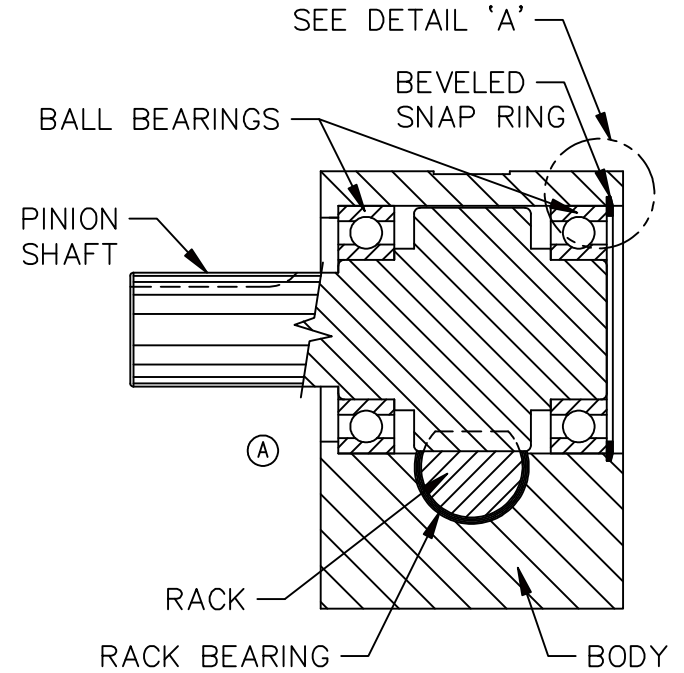
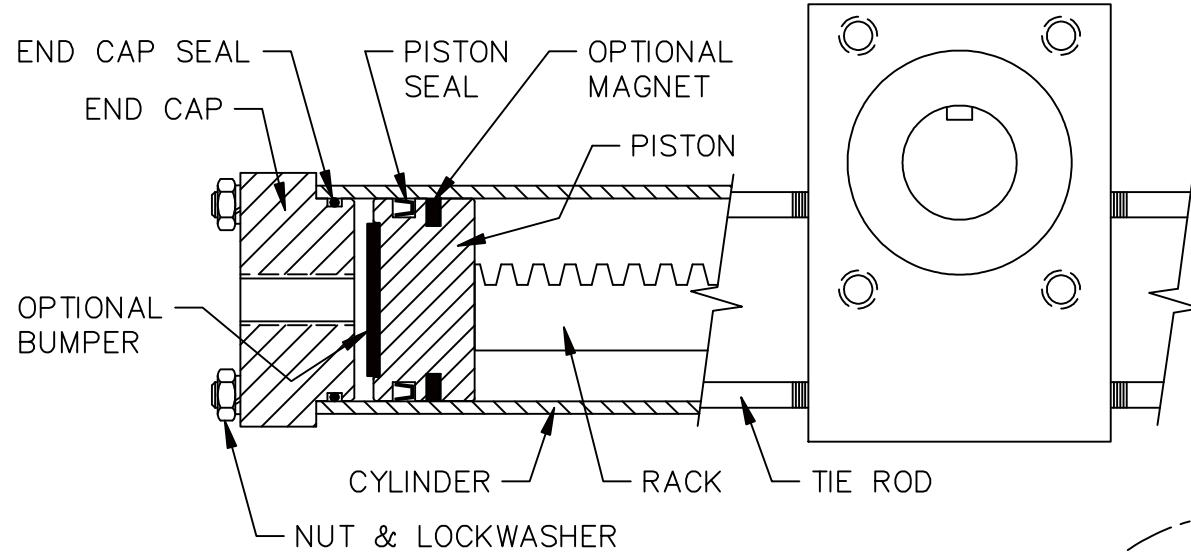
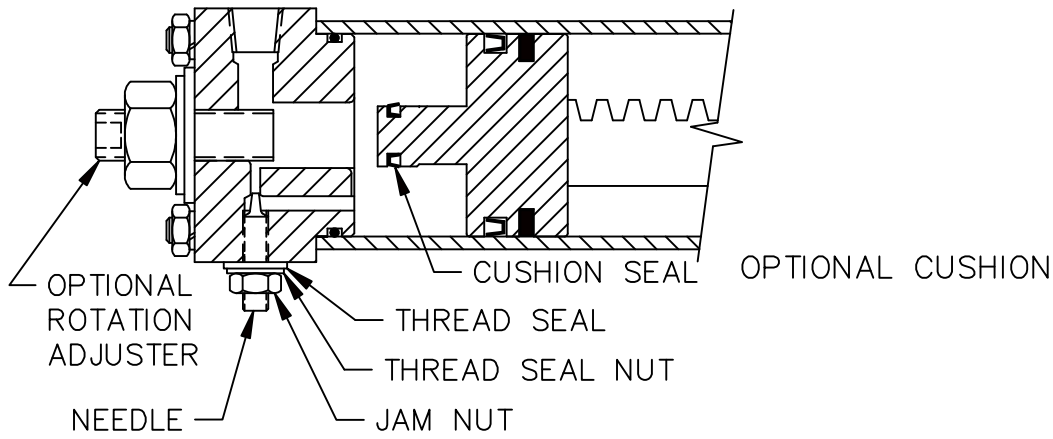


NOTE:
ORDER PARTS BY PART NAME AND COMPLETE UNIT
SPECIFICATION NUMBER OR SERIAL NUMBER.

REV. A RLB DELETE SNAP RING



ROTOMATION
11 SUNSHINE BLVD. ORMOND BEACH, FL. 32174
A4 ACTUATOR PARTS LOCATION
DWG. NO. A4-065