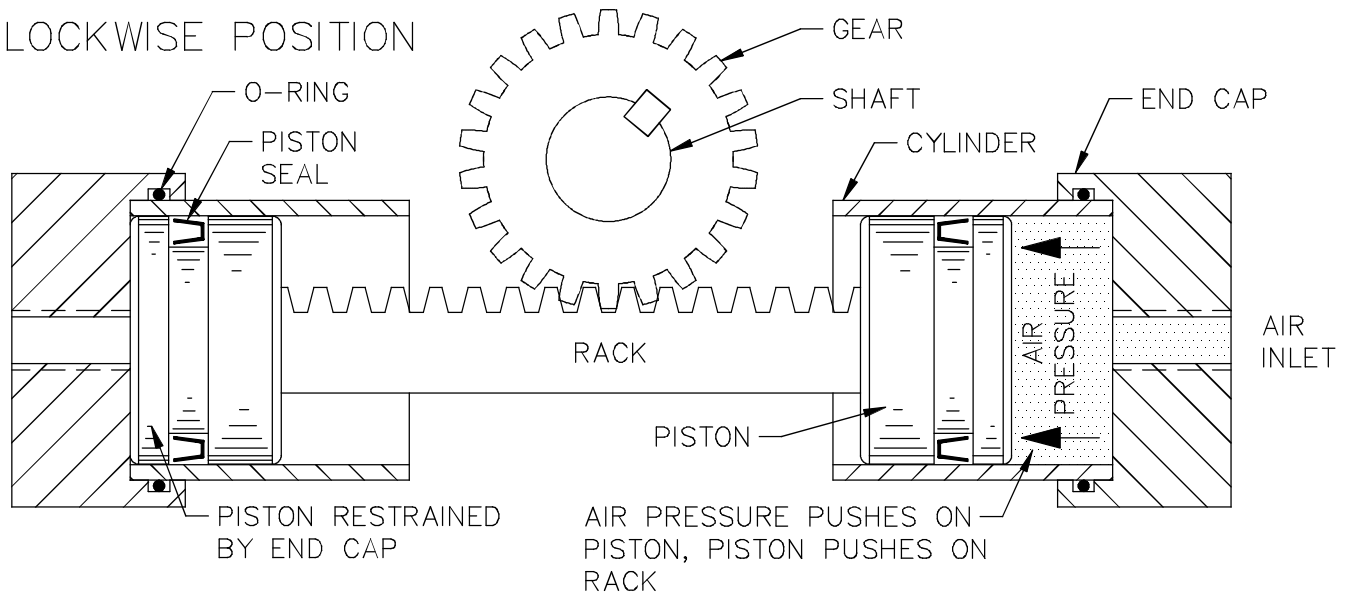
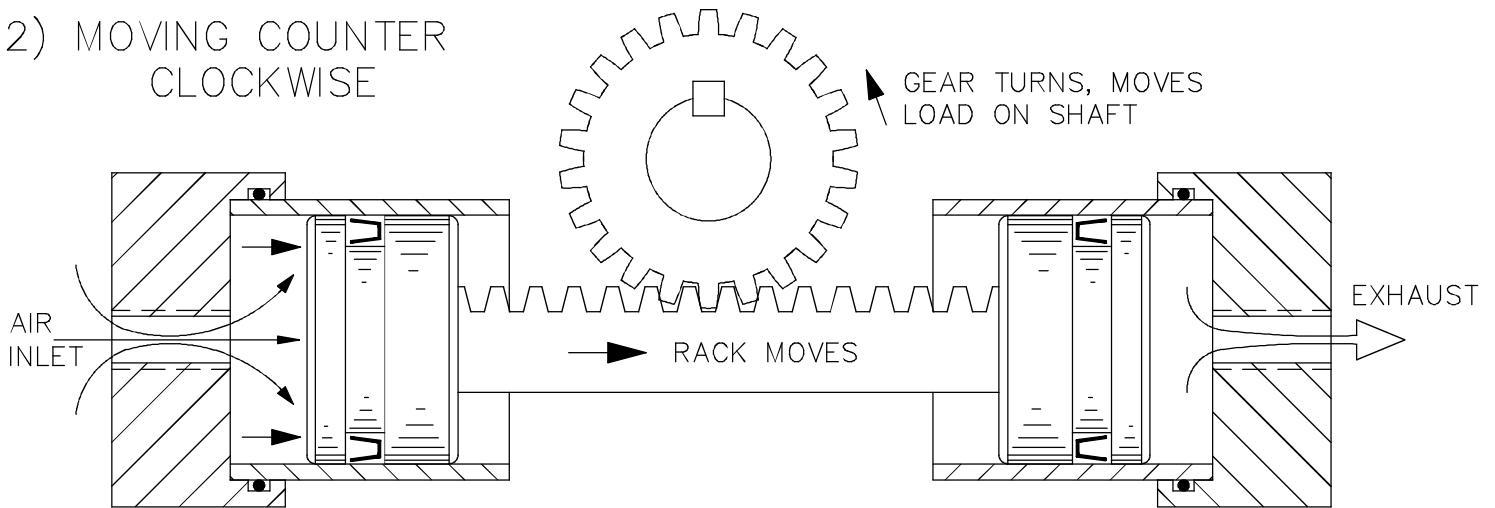


ROTARY ACTUATOR OPERATION

1) CLOCKWISE POSITION



2) MOVING COUNTER CLOCKWISE



3) COUNTER CLOCKWISE POSITION

